

AUB

Catalog

Email: info@aubearing.com

web: www.aubearing.com



Ability
Accuracy
Assurance



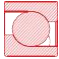






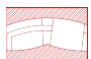
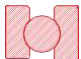

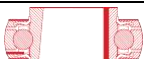
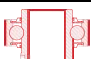



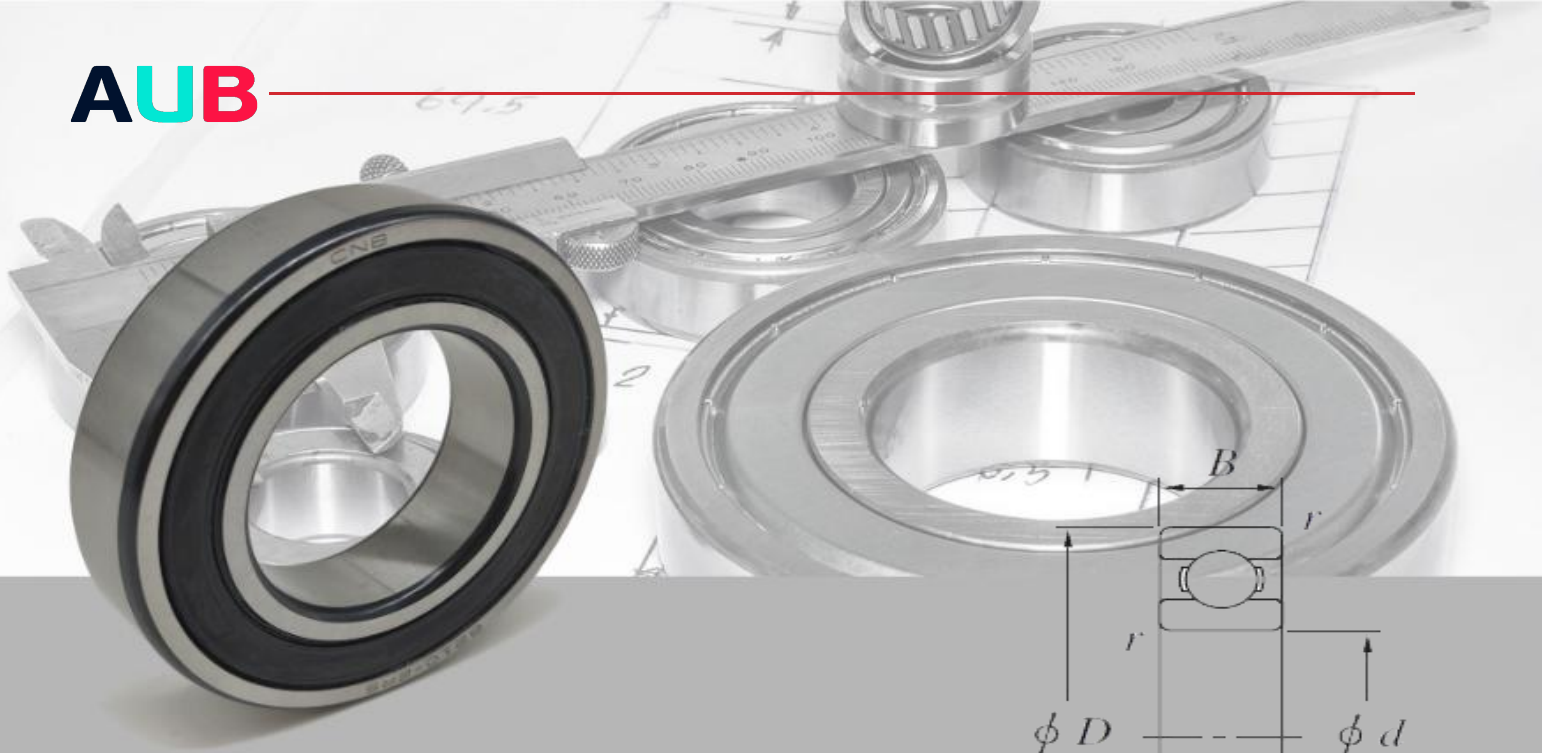


Why choose Aubearing

- 1. Customized on Demand**
- 2. Factory Direct**
- 3. Factory-Inspection Supported**
- 4. Inventory Surplus**
- 5. Professional Team**
- 6. Quality Assurance**
- 7. Quick Response**
- 8. Reasonable Price**

Table of Contents

<i>Deep Groove Ball Bearings</i>		4
<i>Miniature Ball Bearings</i>		11
<i>Angular Contact Ball Bearings</i>		12
<i>Single-Row</i>		12
<i>Double-Row</i>		14
<i>Self-Aligning Ball Bearings</i>		16
<i>Cylindrical Roller Bearings</i>		19
<i>Needle Roller Bearings</i>		23
<i>Inch Tapered Roller Bearings</i>		26
<i>Metric Tapered Roller Bearings</i>		34
<i>Spherical Roller Bearings</i>		40
<i>Thrust Ball Bearings</i>		46
<i>Single Row</i>		46
<i>Double Row</i>		49
<i>UK Series Ball Bearing Inserts</i>		51
<i>UC Series Ball Bearing Inserts</i>		52
<i>UC Series Ball Bearing Units</i>		53
<i>UCP</i>		53
<i>UCF</i>		55
<i>UCFC</i>		57
<i>UCFL</i>		58
<i>Adapter Sleeves</i>		59



Deep Groove Ball Bearings

Bearing No.	Dimensions (mm)						Weight (Kg.)
	d	inch	D	inch	B	r	
6800	10	0.3937	19	0.7480	5	0.3	0.005
6900	10	0.3937	22	0.8661	6	0.3	0.008
6000	10	0.3937	26	1.0236	8	0.3	0.019
B10-50T12DDU	10	-	27	-	11	-	0.500
6200	10	0.3937	30	1.1811	9	0.6	0.032
6300	10	0.3937	35	1.3780	11	0.6	0.053
6801	12	0.4724	21	0.8268	5	0.3	0.006
6901	12	0.4724	24	0.9449	6	0.3	0.009
6001	12	0.4724	28	1.1024	8	0.3	0.021
16001	12	0.4724	28	1.1024	7	0.3	0.019
12BD2816T12	12	-	28	-	16	-	-
6201	12	0.4724	32	1.2598	10	0.6	0.035
B12-57	12	-	32	-	13	-	0.500
6301	12	0.4724	37	1.4567	12	1.0	0.057
6203/12-2RS	12	-	40	-	12	-	-
B12-792RSC4	12	-	40	-	10/14	-	-
12BC04S3	12	-	42	-	10	-	-
6802	15	0.5906	24	0.9449	5	0.3	0.006
6902	15	0.5906	28	1.1024	7	0.3	0.012
6002	15	0.5906	32	1.2598	9	0.3	0.035
16002	15	0.5906	32	1.2598	8	0.3	0.025
B15-70	15	-	32	-	11	-	-
6202	15	0.5906	35	1.3780	11	0.6	0.045

Bearing No.	Dimensions (mm)						Weight (Kg.)
	d	inch	D	inch	B	r	
B15-69T12DD	15	-	35	-	13	-	0.052
15BC04S18SU	15	-	40	-	14	-	-
6302	15	0.5906	42	1.6535	13	1.0	0.080
B15-86D	15	-	47	-	14	-	-
83A170C4	16	-	40	-	12	-	-
6803	17	0.6693	26	1.0236	5	0.3	0.007
6903	17	0.6693	30	1.1811	7	0.3	0.014
6003	17	0.6693	35	1.3780	10	0.3	0.040
16003	17	0.6693	35	1.378	8	0.3	0.030
6203	17	0.6693	40	1.5748	12	0.6	0.064
B17-114DD	17	-	40	-	20/12	-	-
6303	17	0.6693	47	1.8504	14	1.0	0.110
B17-102	17	-	47	-	14	-	0.118
B17-96	17	-	47	-	18	-	-
333-2RS	17	-	52	-	16	-	-
62304/17-2RS	17	-	52	-	21	-	-
B17-116	17	-	52	-	18	-	-
B17-99	17	-	52	-	17	-	-
6403	17	-	62	-	17	1.0	0.270
B17-127DDU	17	-	62	-	20	-	-
B17-126	17	-	62	-	18	-	-
6804	20	0.7874	32	1.2598	7	0.3	0.015
6904	20	0.7874	37	1.4567	9	0.3	0.031
6004	20	0.7874	42	1.6535	12	0.6	0.068
16004	20	0.7874	42	1.6535	8	0.3	0.048
6204	20	0.7874	47	1.8504	14	1.0	0.103
6204JRW3C3	20	-	47	-	14	-	-
B20-112	20	-	47	-	14	-	-
B20-122	20	-	47	-	16	-	-
6304	20	0.7874	52	2.0472	15	1.1	0.142
SC04A47CS32PX1	20	-	52	-	10	-	-
SC04A50CS24PX1	20	-	52	-	12	-	-
B20-161	20	-	62	-	14	-	-
6404	20	-	72	-	19	1.0	0.400
60/22	22	-	44	-	12	0.6	0.073
62/22	22	-	50	-	14	1.0	0.118
63/22	22	-	56	-	16	1.1	0.201
22TM06C3	22	-	62	-	17	-	-
B22-19C3	22	-	62	-	17	-	-
6805	25	0.9843	37	1.4567	7	0.3	0.017
6905	25	0.9843	42	1.6535	9	0.3	0.038
6005	25	0.9843	47	1.8504	12	0.6	0.079
16005	25	0.9843	47	1.8504	8	0.3	0.059
6205	25	0.9843	52	2.0470	15	1.0	0.127

Note: Dimension s also available in Seals(2RS) or Shields (ZZ)

Bearing No.	Dimensions (mm)						Weight (Kg.)
	d	inch	D	inch	B	r	
BD25-9T12	25	-	52	-	23.5	-	-
SC05A51CS24PX2	25	-	52	-	13.0	-	-
83A915SH2-9TC4	25	-	55	-	15.0	-	-
SC05B61CS35PX1	25	-	56	-	12.0	-	-
25TM21NXC3	25	-	60	-	27/19	-	-
B25-163ZNX3	25	-	60	-	27/19	-	-
B25-164	25	-	60	-	25/17	-	0.25
6305	25	0.9843	62	2.4409	17	11	0.219
B24Z-1C3	25	-	62	-	17	-	-
B25-165	25	-	62	-	14	-	-
B25-145	25	-	63	-	17.5	-	-
B25-198	25	-	63	-	18.0	-	-
B25-139	25	-	68	-	18	-	-
6405	25	-	80	-	21	1.5	0.530
27TM01	27	-	68	-	18	-	-
28TMD01U40	28	-	45	-	18	-	-
60/28	28	-	52	-	12	0.6	0.097
62/28	28	-	58	-	16	1.0	0.173
63/28	28	-	68	-	18	11	0.328
28BCS15-NSL2	28	-	72	-	18	-	-
29TM01NXCG25	29	-	72	-	17	-	-
6806	30	1.1811	42	1.6535	7	0.3	0.019
6906	30	1.1811	47	1.8504	9	0.3	0.043
6006	30	1.1811	55	2.1645	13	1.0	0.113
16006	30	1.1811	55	2.1645	9	0.3	0.085
6206	30	1.1811	62	2.4409	16	1.0	0.202
B30-72	30	-	62	-	11	-	-
83746ASH4-9TC3	30	-	66	-	16	-	-
B30-141	30	-	68	-	16	-	-
6306	30	1.1811	72	2.8346	19	11	0.350
30TM05NX2C3	30	-	72	-	19	-	-
30TM11NC3	30	-	75	-	21	-	-
B30-126NR	30	-	75	-	20	-	-
6406	30	-	90	-	23	15	0.740
60/32	32	-	58	-	13	1.0	0.127
62/32	32	-	65	-	17	1.0	0.228
63/32	32	-	75	-	20	11	0.437
32TM03NXC3	32	-	80	-	23	-	-
6807	35	1.3780	47	1.8504	7	0.3	0.023
6907	35	1.3779	55	2.1653	10	0.6	0.078
6007	35	1.3779	62	2.4409	14	1.0	0.149
16007	35	1.3779	62	2.4409	9	0.3	0.107
6207	35	1.3779	72	2.8346	17	11	0.287
6307	35	1.3780	80	3.1496	21	15	0.454

Note: Dimension is also available in Seals(2RS) or Shields (ZZ)

Bearing No.	Dimensions (mm)						Weight (Kg.)
	d	inch	D	inch	B	r	
TMSC0788FFX2NR	35	-	80	-	24	-	-
6407	35	-	100	-	25	15	0.950
83A831SC5	36.2	-	67	-	18.4	-	-
6808	40	1.5748	52	2.0472	7	0.3	0.026
6908	40	1.5748	62	2.4409	12	0.6	0.103
6008	40	1.5748	68	2.6772	15	1.0	0.185
16008	40	1.5748	68	2.6772	9	0.3	0.130
6308	40	1.5748	90	3.5433	23	15	0.639
40TM02NXRC4	40	-	90	-	25	-	-
40TM06-NRC3	40	-	100	-	25	-	-
6408	40	-	110	-	27	2.0	1.250
83B231DCS29	41	-	72	-	23	-	-
6809	45	1.7716	58	2.2834	7	0.3	0.030
6909	45	1.7716	68	2.6771	12	0.6	0.123
6009	45	1.7716	75	2.9528	16	1.0	0.231
16009	45	1.7716	75	2.9528	10	0.3	0.167
6309	45	1.7716	100	3.9370	25	15	0.836
45TM04NC3	45	-	110	-	29	-	-
6409	45	-	120	-	29	2.0	1.550
6810	50	1.9685	65	2.5590	7	0.3	0.043
6910	50	1.9685	72	2.8346	12	0.6	0.125
6010	50	1.9685	80	3.1496	16	1.0	0.256
16010	50	1.9650	80	3.1496	10	0.3	0.175
6310	50	1.9685	110	4.3307	27	2.0	1.082
6410	50	-	130	-	31	2.0	1.900
6811	55	-	72	-	9	0.3	0.083
6911	55	-	80	-	13	1.0	0.170
6011	55	2.1653	90	3.5433	18	11	0.384
16011	55	2.1653	90	3.5433	11	0.6	0.260
6211	55	2.1653	100	3.9370	21	15	0.607
6311	55	2.1653	120	4.7244	29	2.0	1.350
6411	55	-	140	-	33	2.1	-
6812	60	-	78	-	10	0.3	0.110
6912	60	-	85	-	13	1.0	0.200
6012	60	2.3620	95	3.7400	18	11	0.410
16012	60	2.3620	95	3.7400	11	0.6	0.280
6212	60	2.3620	110	4.3307	22	15	0.783
6312	60	2.3620	130	5.1181	31	2.1	1.700
6412	60	-	150	-	35	2.1	-
6813	65	-	85	-	10	0.6	0.130
6913	65	-	90	-	13	1.0	0.220
6013	65	2.5590	100	3.9370	18	11	0.436
16013	65	2.5590	100	3.9370	11	0.6	0.300
6213	65	2.5590	120	4.7244	23	15	0.982

Note: Dimension is also available in Seals(2RS) or Shields (ZZ)

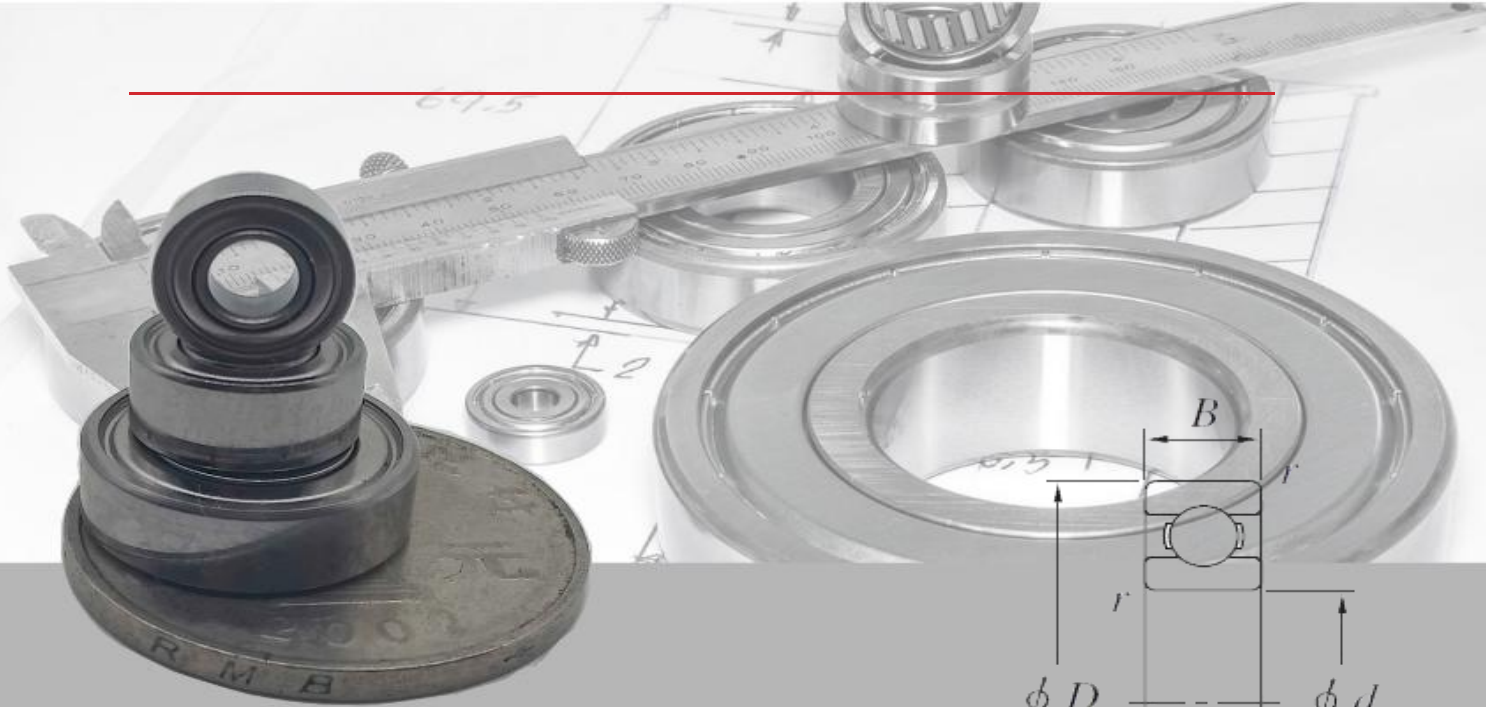
Bearing No.	Dimensions (mm)						Weight (Kg.)
	d	inch	D	inch	B	r	
6313	65	2.5590	140	5.7087	33	2.1	2.130
6413	65	-	160	-	37	2.1	-
6814	70	-	90	-	10	0.6	0.140
6014	70	2.7559	110	4.3307	20	11	0.607
16014	70	2.7559	110	4.3307	13	0.6	0.430
6214	70	2.7559	125	4.9213	24	1.5	1.080
6414	70	-	180	-	42	2.5	4.850
6815	75	-	95	-	10	0.6	0.150
6015	75	2.9528	115	4.5276	20	11	0.645
16015	75	2.9528	115	4.5276	13	0.6	0.460
6215	75	2.9528	130	5.1181	25	1.5	1.210
6415	75	-	190	-	45	2.5	6.800
6816	80	-	100	-	10	0.6	0.150
6016	80	3.1496	125	4.9213	22	11	0.850
16016	80	3.1496	125	4.9213	14	0.6	0.600
6216	80	3.1496	140	5.7087	26	2.0	1.400
6416	80	-	200	-	48	2.5	8.000
6817	85	-	110	-	13	1.0	0.270
6917	85	-	120	-	18	11	0.550
6017	85	3.3465	130	5.1181	22	11	0.890
16017	85	3.3465	130	5.1181	14	0.6	0.630
6217	85	3.3465	150	5.9055	28	2.0	1.800
6317	85	3.3465	180	7.0866	41	3.0	4.250
6417	85	-	210	-	52	4.0	-
6818	90	-	115	-	13	1.0	0.280
6918	90	-	125	-	18	11	0.590
6018	90	3.5433	140	5.5118	24	1.5	1.150
16018	90	3.5433	140	5.5118	16	1.0	0.850
6218	90	3.5433	160	6.2992	30	2.0	2.150
6318	90	3.5433	190	7.4803	43	3.0	4.900
6418	90	-	225	-	54	4.0	-
6819	95	-	120	-	13	1.0	0.300
6919	95	-	130	-	18	11	0.610
6019	95	3.7402	145	5.7087	24	1.5	1.200
16019	95	3.7402	145	5.7087	16	1.0	0.890
6219	95	3.7402	170	6.6929	32	2.1	2.600
6319	95	3.7402	200	7.8740	45	3.0	6.140
6419	95	-	240	-	55	4.0	-
6820	100	-	125	-	13	1.0	0.313
6920	100	-	140	-	20	11	0.830
6020	100	3.9370	150	5.9055	24	1.5	1.250
16020	100	3.9370	150	5.9055	16	1.0	0.910
6220	100	3.9370	180	7.0866	34	2.1	3.220
6320	100	3.9370	215	8.2677	47	3.0	6.950

Note: Dimension is also available in Seals(2RS) or Shields (ZZ)

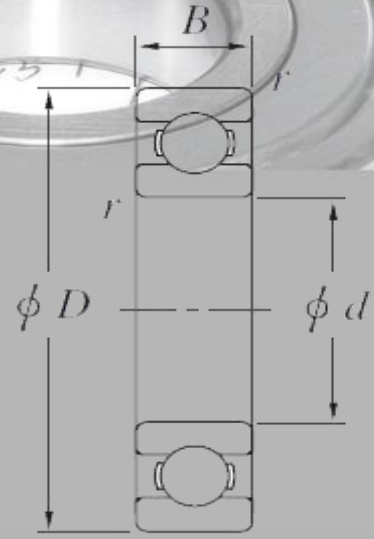
Bearing No.	Dimensions (mm)						Weight (Kg.)
	d	inch	D	inch	B	r	
6420	100	-	250	-	58	4.0	1.62
6821	105	-	130	-	13	1.0	0.320
6921	105	-	145	-	20	11	0.870
6021	105	-	160	-	26	3.0	1.600
16021	105	-	160	-	18	2.0	1.200
6221	105	-	190	-	36	2.1	3.700
6321	105	-	225	-	49	3.0	8.050
6421	105	-	260	-	60	4.0	-
6822	110	-	140	-	16	1.0	0.600
6922	110	-	150	-	20	11	0.900
6022	110	-	170	-	28	3.0	1.950
16022	110	-	170	-	19	1.0	1.450
6222	110	-	200	-	38	2.1	4.350
6322	110	-	240	-	50	3.0	9.550
6422	110	-	280	-	65	4.0	-
6824	120	-	150	-	16	1.0	0.650
6924	120	-	165	-	22	11	1.200
6024	120	-	180	-	28	3.0	2.050
16024	120	-	180	-	19	1.0	1.960
6224	120	-	215	-	40	2.1	5.150
6324	120	-	260	-	55	3.0	12.600
6424	120	-	310	-	72	5.0	-
6826	130	-	165	-	18	11	0.930
6926	130	-	180	-	24	1.5	1.600
6026	130	-	200	-	33	3.0	3.150
16026	130	-	200	-	22	11	2.350
6226	130	-	230	-	40	3.0	5.800
6326	130	-	280	-	58	4.0	15.300
6426	130	-	340	-	78	5.0	-
6828	140	-	175	-	18	11	0.990
6928	140	-	190	-	24	1.5	1.700
6028	140	-	210	-	33	3.0	3.350
16028	140	-	210	-	22	11	2.500
6228	140	-	250	-	42	3.0	7.450
6328	140	-	300	-	62	4.0	18.600
6830	150	-	190	-	20	11	1.400
6930	150	-	210	-	28	2.0	3.050
6030	150	-	225	-	35	3.5	4.800
16030	150	-	225	-	24	11	3.150
6230	150	-	270	-	45	3.0	9.400
6330	150	-	320	-	65	4.0	23.000
6032	160	-	240	-	38	3.5	5.900
16032	160	-	240	-	25	1.5	3.700
6034	170	-	260	-	42	3.5	7.900

Note: Dimension is also available in Seals(2RS) or Shields (ZZ)

Bearing No.	Dimensions (mm)						Weight (Kg.)
	d	inch	D	inch	B	r	
6036	180	-	280	-	46	3.5	10.500
6038	190	-	290	-	46	3.5	11.000
6238	190	-	340	-	55	5.0	23.000
6040	200	-	310	-	51	3.5	14.000
6240	200	-	360	-	58	5.0	28.000
6044	220	-	340	-	56	3.5	18.500
6244	220	-	400	-	65	4.0	37.000

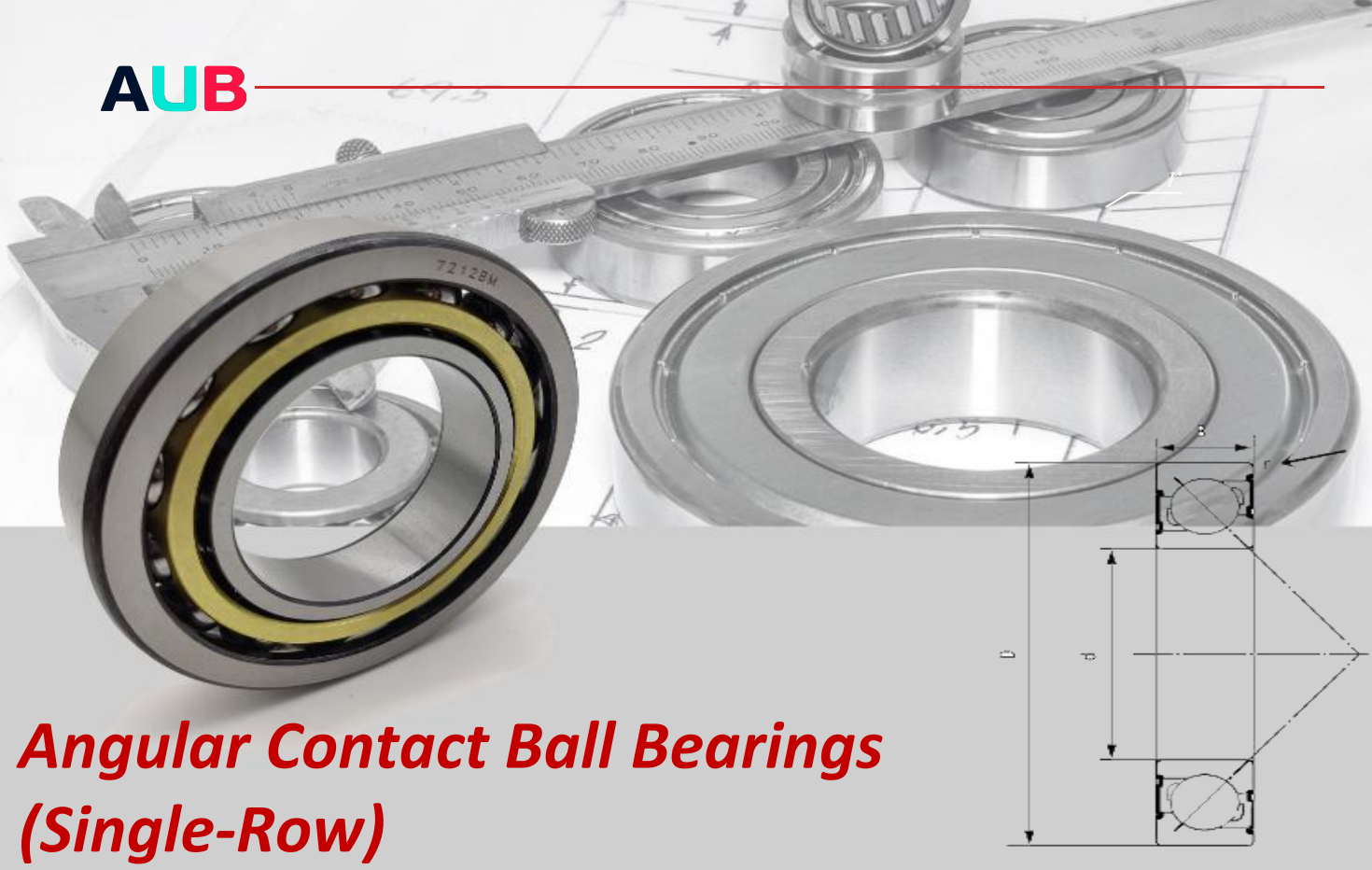


Miniature Ball Bearings



Bearing No.	Dimensions (mm)				Weight (Kg.)
	d	D	B	r	
MR63ZZ	3	6	2.5		0.0027
603	3	9	3	0.2	0.0035
623	3	10	4	0.2	0.0015
633	3	15	5	0.3	0.004
604	4	12	4	0.2	0.0025
624	4	13	5	0.3	0.0032
634	4	16	5	0.3	0.0049
605	5	14	5	0.2	0.0035
625	5	16	5	0.3	0.0048
635	5	19	6	0.3	0.0073
635	5	19	6	0.3	0.0073
MR126ZZ	6	12	4	0.3	0.0016
606	6	17	6	0.3	0.00570
626	6	19	6	0.3	0.0075
636	6	22	7	0.3	0.024
MR137ZZ	7	13	4	0.3	0.002
607	7	19	6	0.3	0.00710
627	7	22	7	0.3	0.012
637	7	26	9	0.3	0.024
608	8	22	7	0.3	0.01100
628	8	24	8	0.3	0.017
638	8	28	9	0.3	0.024
609	9	24	7	0.3	0.01400
629	9	26	8	0.3	0.017
639	9	30	10	0.6	0.035

Note: Dimension is also available in Seals(2RS) or Shields (ZZ)



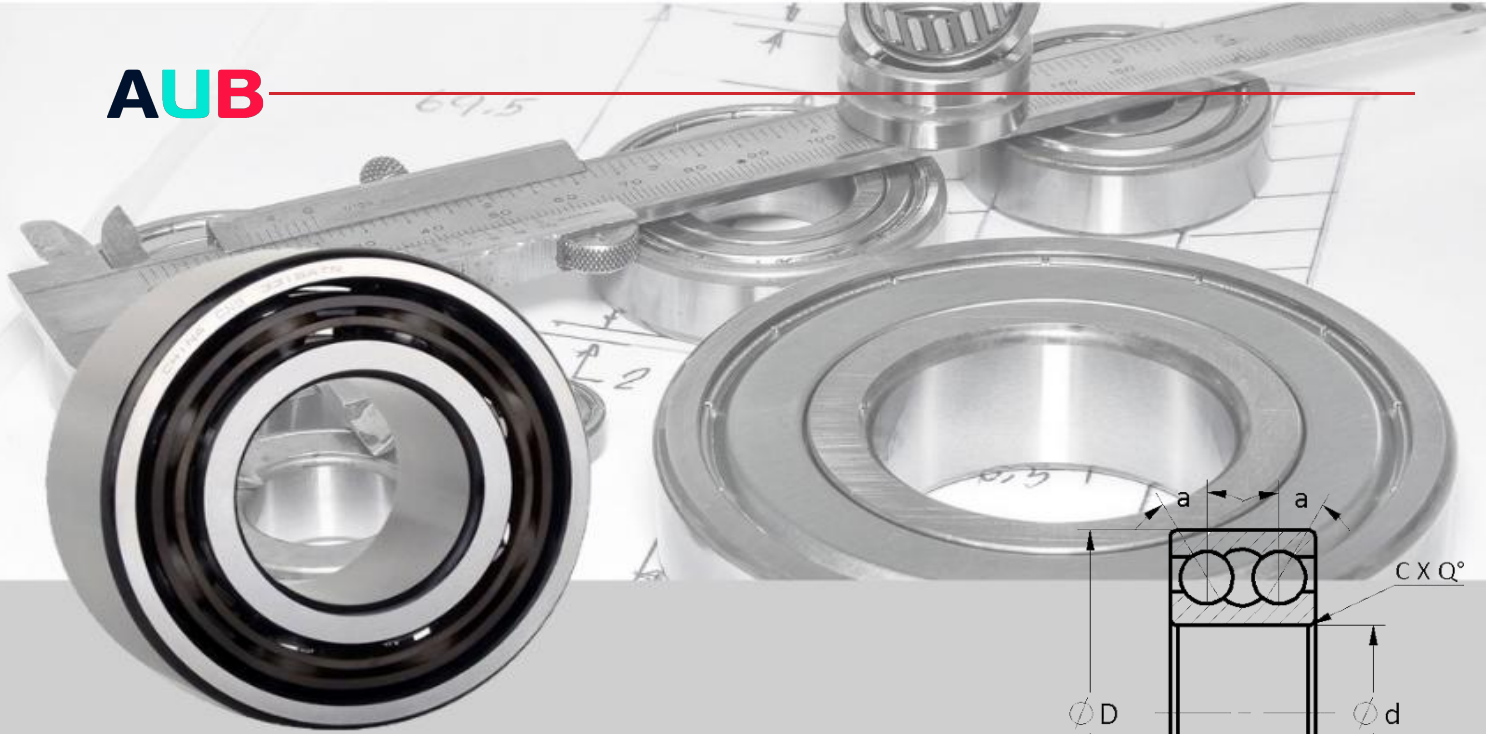
Angular Contact Ball Bearings (Single-Row)

Bearing No.	Dimensions (mm)				Weight (Kg.)
	d	D	B	r	
7200	10	30	9	0.6	0.034
7300	10	35	11	0.6	0.041
7201	12	32	10	0.6	0.036
7301	12	37	12	1.0	0.045
7202	15	35	11	0.6	0.046
7302	15	42	13	1.0	0.057
7203	17	40	12	0.6	0.066
7303	17	47	14	1.0	0.109
7204	20	47	14	1.0	0.102
7304	20	52	15	1.0	0.141
7205	25	52	15	1.0	0.129
7305	25	62	17	1.1	0.234
7206	30	62	16	1.0	0.208
7306	30	72	19	1.1	0.352
7207	35	72	17	1.1	0.287
7307	35	80	21	1.5	0.489
7208	40	80	18	1.1	0.375
7308	40	90	23	1.5	0.636
7209	45	85	19	1.1	0.410
7309	45	100	25	1.5	0.854
7210	50	90	20	1.1	0.485
7310	50	110	27	2.0	1.140
7211	55	100	21	1.5	0.612

Note: Available in A suffix (30°) and in B suffix (40°)

Bearing No.	Dimensions (mm)				Weight (Kg.)
	d	D	B	r	
7311	55	120	29	2.0	1.420
7212	60	110	22	1.5	0.780
7312	60	130	31	2.1	1.770
7213	65	120	23	1.5	0.981
7313	65	140	33	2.1	2.150
7214	70	125	24	1.5	1.110
7314	70	150	35	2.1	2.610
7215	75	130	25	1.5	1.190
7315	75	160	37	2.1	3.130
7216	80	140	26	2.0	1.420
7316	80	170	39	2.1	3.720
7217	85	150	28	2.0	1.820
7317	85	180	41	3.0	4.430
7218	90	160	30	2.0	2.220
7318	90	190	43	3.0	5.160
7219	95	170	32	2.1	2.720
7319	95	200	45	3.0	6.000
7220	100	180	34	2.1	3.260
7320	100	215	47	3.0	7.320
7221	105	190	36	2.1	3.870
7321	105	225	49	3.0	8.620
7222	110	200	38	2.1	4.540
7322	110	240	50	3.0	10.100
7224	120	215	40	2.1	6.260
7324	120	260	55	3.0	12.600
7226	130	230	40	3.0	6.888
7326	130	280	58	4.0	15.400
7228	140	250	42	3.0	7.780
7328	140	300	62	4.0	21.500
7230	150	270	45	3.0	11.000
7330	150	320	65	4.0	25.100

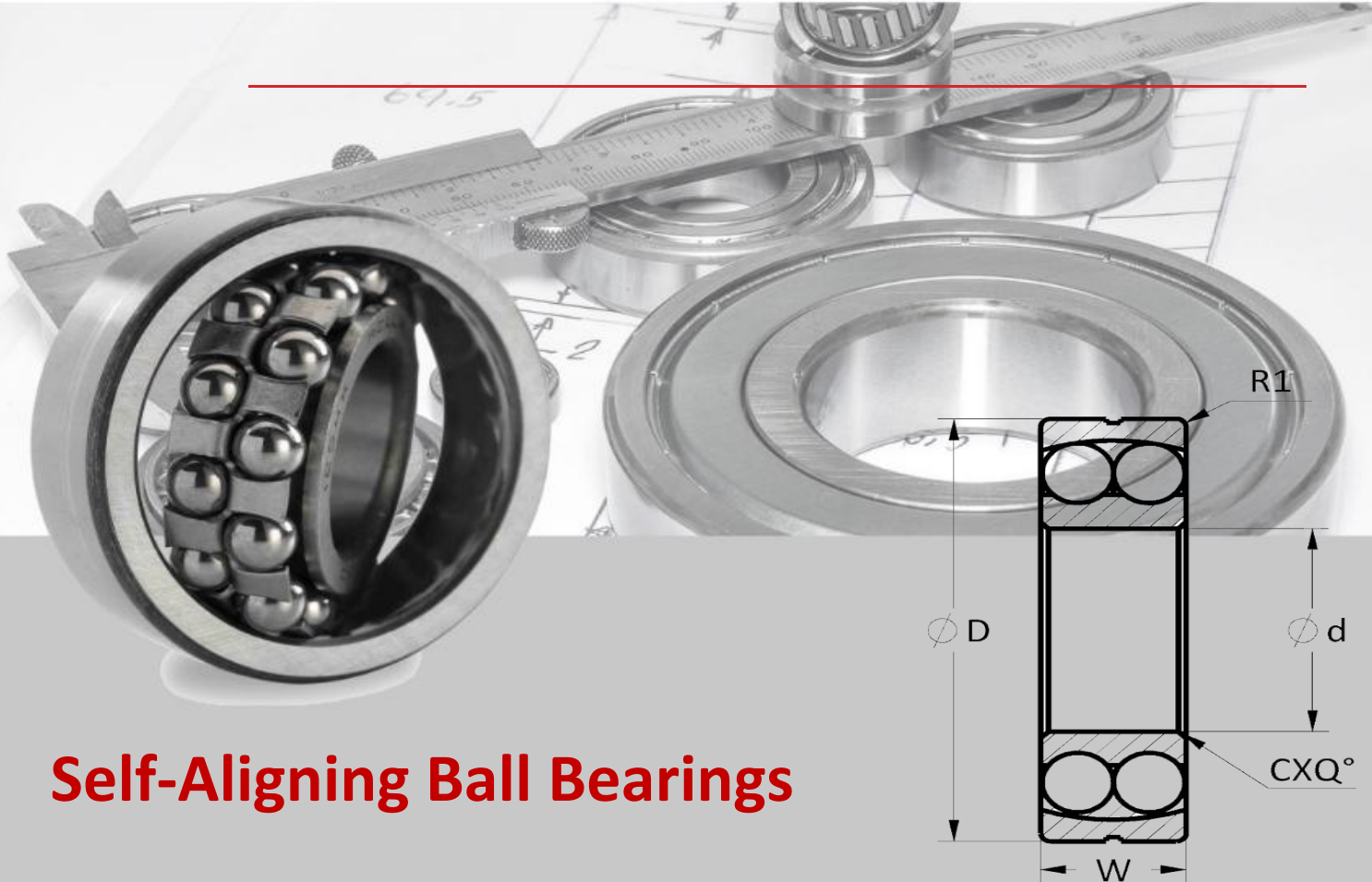
Note: Available in A suffix (30°) and in B suffix (40°)



Angular Contact Ball Bearing Double-Row

Bearing No.	Dimensions (mm)				Weight (Kg.)
	d	D	B	r	
5200	10	30	14	0.6	0.050
5201	12	32	16	0.6	0.060
5202	15	35	16	0.6	0.070
5302	15	42	20	1.0	0.132
5203	17	40	18	0.6	0.090
5303	17	47	22	1.0	0.140
5204	20	47	21	1.0	0.120
5304	20	52	22	1.1	0.230
5205	25	52	21	1.0	0.190
5305	25	62	25	1.1	0.340
5206	30	62	24	1.0	0.290
5306	30	72	30	1.1	0.510
5207	35	72	27	1.1	0.430
5307	35	80	35	1.5	0.790
5208	40	80	30	1.1	0.590
5308	40	90	37	1.5	1.050
5209	45	85	30	1.1	0.620
5309	45	100	40	1.5	1.420
5210	50	90	30	1.1	0.670
5310	50	110	44	2.0	1.930
5211	55	100	33	1.5	0.960

Bearing No.	Dimensions (mm)				Weight (Kg.)
	d	D	B	r	
5311	55	120	49	2.0	2.300
5212	60	110	37	1.5	1.360
5312	60	130	54	2.1	3.160
5213	65	120	38	1.5	1.570
5313	65	140	59	2.1	3.860
5214	70	125	40	1.5	1.820
5314	70	150	64	2.1	4.570
5215	75	130	41	1.5	1.910
5315	75	160	68	2.1	5.510
5216	80	140	44	2.0	2.434
5316	80	170	68	2.1	6.810
5217	85	150	49	2.0	3.200
5317	85	180	73	3.0	8.300
5218	90	160	52	2.0	3.815
5318	90	190	73	3.0	9.230
5219	95	170	56	2.1	5.020
5319	95	200	78	3.0	10.900
5220	100	180	60	2.1	6.100
5320	100	215	83	3.0	5.966



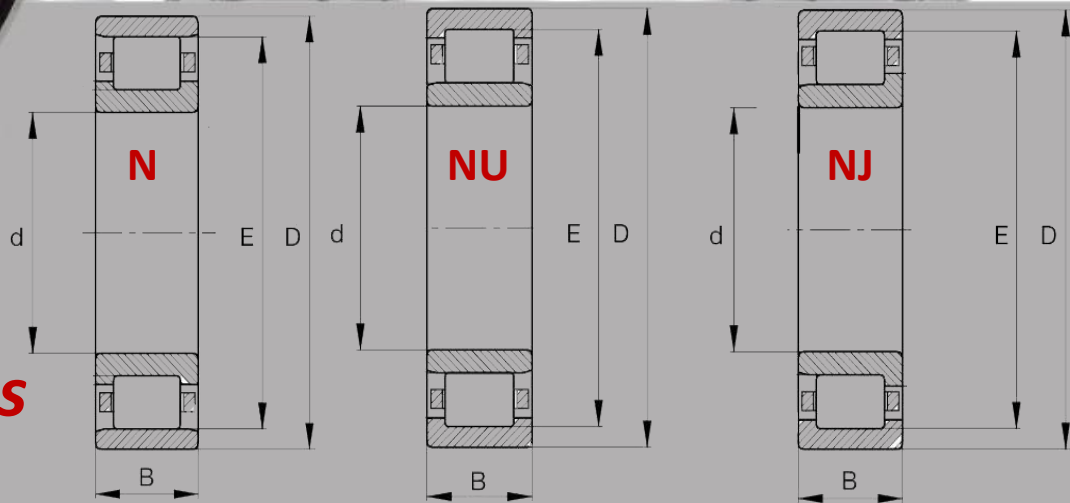
Self-Aligning Ball Bearings

Bearing No.		Dimensions (mm)				Weight (Kg.)
Cylindrical bore	Tapered bore	d	D	W	R1	
1200	1200K	10	30	9	0.6	0.034
2200	2200K	10	30	14	0.6	0.047
1300	1300K	10	35	11	0.6	0.058
2300	2300K	10	35	17	0.6	0.083
1201	1201K	12	32	10	0.6	0.040
2201	2201K	12	32	14	0.6	0.053
1301	1301K	12	37	12	1.0	0.067
2301	2301K	12	37	17	1.0	0.090
1202	1202K	15	35	11	0.6	0.049
2202	2202K	15	35	14	0.6	0.060
1302	1302K	15	42	13	1.0	0.094
2302	2302K	15	42	17	1.0	0.114
1203	1203K	17	40	12	0.6	0.073
2203	2203K	17	40	16	0.6	0.088
1303	1303K	17	47	14	1.0	0.130
2303	2303K	17	47	19	1.0	0.156
1204	1204K	20	47	14	1.0	0.116
2204	2204K	20	47	18	1.0	0.140
1304	1304K	20	52	15	1.1	0.165
2304	2304K	20	52	21	1.1	0.210
1205	1205K	25	53	15	1.0	0.140
2205	2205K	25	52	18	1.0	0.165

Bearing No.		Dimensions (mm)				Weight (Kg.)
Cylindrical bore	Tapered bore	d	D	B	r	
1305	1305K	25	62	17	11	0.255
2305	2305K	25	62	24	11	0.335
1206	1206K	30	62	16	1.0	0.220
2206	2206K	30	62	20	1.0	0.260
1306	1306K	30	72	19	11	0.385
2306	2306K	30	72	27	11	0.500
1207	1207K	35	72	17	11	0.320
2207	2207K	35	72	23	11	0.405
1307	1307K	35	80	21	15	0.510
2307	2307K	35	80	31	15	0.675
1208	1208K	40	80	18	11	0.415
2208	2208K	40	80	23	11	0.505
1308	1308K	40	90	23	15	0.715
2308	2308K	40	90	33	15	0.925
1209	1209K	45	85	19	11	0.465
2209	2209K	45	85	23	11	0.545
1309	1309K	45	100	25	15	0.955
2309	2309K	45	100	36	15	1.230
1210	1210K	50	90	20	11	0.531
2210	2210K	50	90	23	11	0.590
1310	1310K	50	110	27	2.0	1.200
2310	2310K	50	110	40	2.0	1.630
1211	1211K	55	100	21	15	0.705
2211	2211K	55	100	25	15	0.810
1311	1311K	55	120	29	2.0	1.600
2311	2311K	55	120	43	2.0	2.100
1212	1212K	60	110	22	15	0.900
2212	2212K	60	110	28	15	1.100
1312	1312K	60	130	31	2.1	1.950
2312	2312K	60	130	46	2.1	2.600
1213	1213K	65	120	23	15	1.150
2213	2213K	65	120	31	15	1.450
1313	1313K	65	140	33	2.1	2.420
2313	2313K	65	140	48	2.1	3.200
1214	1214K	70	125	24	15	1.240
2214	2214K	70	125	31	15	1.500
1314	1314K	70	150	35	2.1	3.000
2314	2314K	70	150	51	2.1	3.920
1215	1215K	75	130	25	15	1.390
2215	2215K	75	130	31	15	1.600
1315	1315K	75	160	37	2.1	3.550
2315	2315K	75	160	55	2.1	4.780
1216	1216K	80	140	26	2.0	1.700

Bearing No.		Dimensions (mm)				Weight (Kg.)
Cylindrical bore	Tapered bore	d	D	B	r	
2216	2216K	80	140	33	2.0	2.150
1316	1316K	80	170	39	2.1	4.170
2316	2316K	80	170	58	2.1	5.650
1217	1217K	85	150	28	2.0	2.060
2217	2217K	85	150	36	2.0	2.670
1317	1317K	85	180	41	3.0	5.000
2317	2317K	85	180	60	3.0	6.550
1218	1218K	90	160	30	2.0	2.590
2218	2218K	90	160	40	2.0	3.370
1318	1318K	90	190	43	3.0	5.800
2318	2318K	90	190	64	3.0	7.750
1219	1219K	95	170	32	2.1	3.100
2219	2219K	95	170	43	2.1	4.110
1319	1319K	95	200	45	3.0	6.700
2319	2319K	95	200	67	3.0	9.050
1220	1220K	100	180	34	2.1	3.700
2220	2220K	100	180	46	2.1	4.940
1320	1320K	100	215	47	3.0	8.300
2320	2320K	100	215	73	3.0	11.500
1221	1221K	105	190	36	2.1	4.350
1321	1321K	105	190	50	2.1	10.000
1321	1321K	105	225	49	3.0	9.950
2321	2321K	105	225	77	3.0	14.300
1222	1222K	110	200	38	2.1	5.150
2222	2222K	110	200	53	2.1	7.100
1322	1322K	110	240	50	3.0	11.800
2322	2322K	110	240	80	3.0	17.500
1224	1224K	120	215	42	-	6.630

Cylindrical Roller Bearings

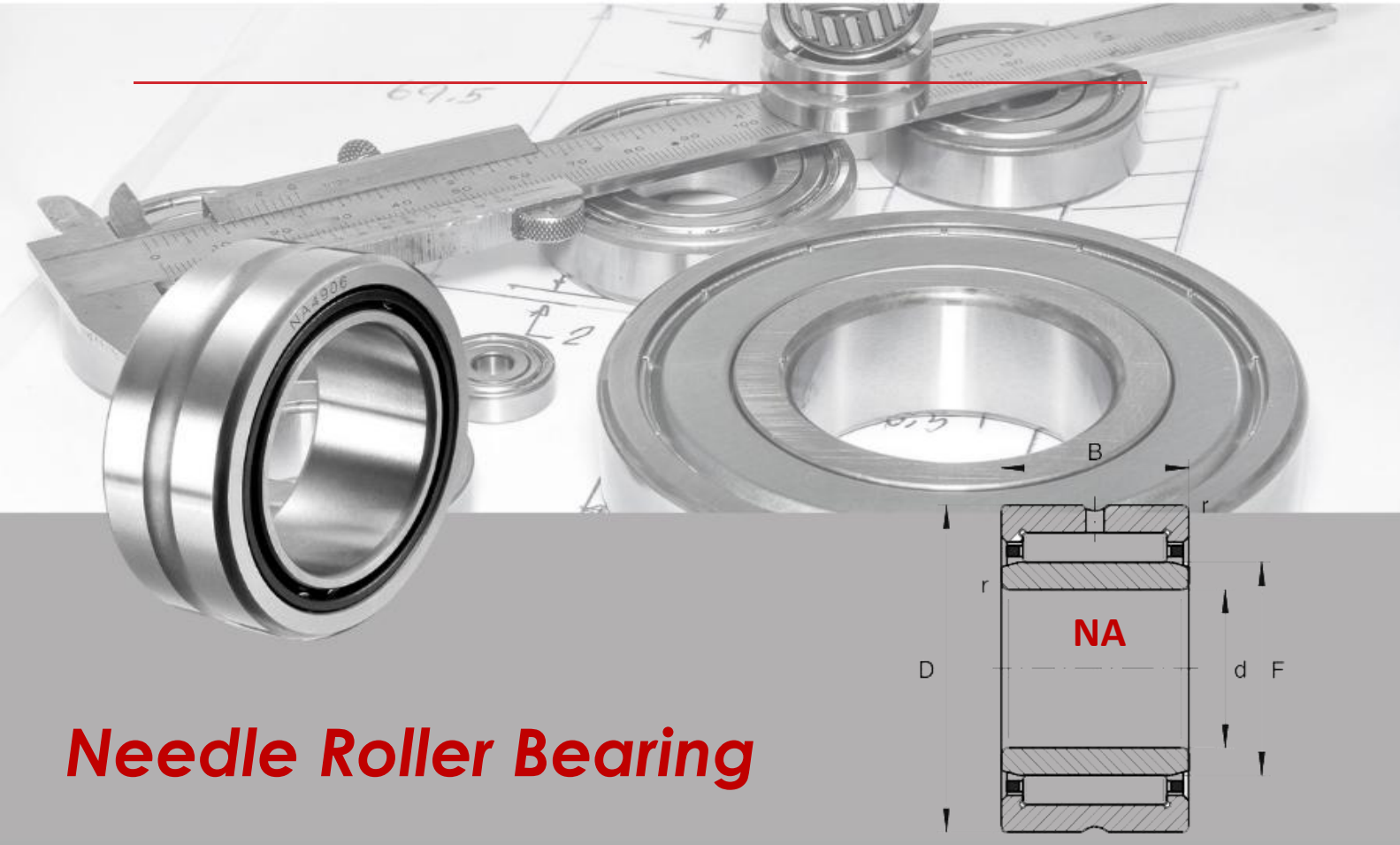


Bearing No.					Dimensions					Weight (Kg.)
Series					(mm)					
NU	NJ	NUP	N	NF	d	D	B	r	r1	
NU203	NJ203	NUP203	N203	NF203	17	40	12	1.0	0.6	0.068
NU204	NJ204	NUP204	N204	NF204	20	47	14	1.0	0.6	0.109
NU2204	NJ2204	NUP204	-	-	20	47	18	1.0	0.6	0.144
NU304	NJ304	NUP304	N304	NF304	20	52	15	11	0.6	0.149
NU2304	NJ2304	NUP2304	-	-	20	52	21	11	0.6	0.250
NU205	NJ205	NUP205	N205	NF205	25	52	15	1.0	0.6	0.134
NU2205	NJ2205	NUP2205	-	-	25	52	18	1.0	0.6	0.166
NU305	NJ305	NUP305	N305	NF305	25	62	17	11	11	0.235
NU2305	NJ2305	NUP2305	-	-	25	62	24	11	11	0.343
NU405	NJ405	NUP405	N405	NF405	25	80	21	15	15	0.536
NU206	NJ206	NUP206	N206	NF206	30	62	16	1.0	0.6	0.200
NU2206	NJ2206	NUP2206	-	-	30	62	20	1.0	0.6	0.255
NU306	NJ306	NUP306	N306	NF306	30	72	19	11	11	0.343
NU2306	NJ2306	NUP2306	-	-	30	72	27	11	11	0.520
NU406	NJ406	NUP406	N406	NF406	30	90	23	15	15	0.732
NU207	NJ207	NUP207	N207	NF207	35	72	17	11	0.6	0.303
NU2207	NJ2207	NUP2207	-	-	35	72	23	11	0.6	0.404
NU307	NJ307	NUP307	N307	NF307	35	80	21	15	11	0.462
NU2307	NJ2307	NUP2307	-	-	35	80	31	15	11	0.720
NU407	NJ407	NUP407	N407	NF407	35	100	25	15	15	0.965
NU208	NJ208	NUP208	N208	NF208	40	80	18	11	11	0.370
NU2208	NJ2208	NUP2208	-	-	40	80	23	11	11	0.490

Bearing No.					Dimensions					Weight (Kg.)
Series					(mm)					
NU	NJ	NUP	N	NF	d	D	B	r	r1	
NU308	NJ308	NUP308	N308	NF308	40	90	23	15	15	0.647
NU2308	NJ2308	NUP2308	-	-	40	90	33	15	15	0.951
NU408	NJ408	NUP408	N408	NF408	40	110	27	2.0	2.0	1.270
NU209	NJ209	NUP209	N209	NF209	45	85	19	11	11	0.423
NU2209	NJ2209	NUP2209	-	-	45	85	23	11	11	0.530
NU309	NJ309	NUP309	N309	NF309	45	100	25	15	15	0.853
NU2309	NJ2309	NUP2309	-	-	45	100	36	15	15	1.270
NU409	NJ409	NUP409	N409	NF409	45	120	29	2.0	2.0	1.800
NU210	NJ210	NUP210	N210	NF210	50	90	20	11	11	0.460
NU2210	NJ2210	NUP2210	-	-	50	90	23	11	11	0.571
NU310	NJ310	NUP310	N310	NF310	50	110	27	2.0	2.0	1.140
NU410	NJ410	NUP410	N410	NF410	50	130	31	2.1	2.1	1.970
NU211	NJ211	NUP211	N211	NF211	55	100	21	15	11	0.626
NU2211	NJ2211	NUP2211	-	-	55	100	25	15	11	0.773
NU311	NJ311	NUP311	N311	NF311	55	120	29	2.0	2.0	1.420
NU2311	NJ2311	NUP2311	-	-	55	120	43	2.0	2.0	2.170
NU411	NJ411	NUP411	N411	NF411	55	140	33	2.1	2.1	2.420
NU212	NJ212	NUP212	N212	NF212	60	110	22	15	15	0.806
NU2212	NJ2212	NUP2212	-	-	60	110	28	15	15	1.060
NU312	NJ312	NUP312	N312	NF312	60	130	31	2.1	2.1	1.850
NU2312	NJ2312	NUP2312	-	-	60	130	46	2.1	2.1	2.710
NU412	NJ412	NUP412	N412	NF412	60	150	35	2.1	2.1	2.930
NU213	NJ213	NUP213	N213	NF213	65	120	23	15	15	1.000
NU2213	NJ2213	NUP2213	-	-	65	120	31	15	15	1.400
NU313	NJ313	NUP313	N313	NF313	65	140	33	2.1	2.1	2.240
NU2313	NJ2313	NUP2313	-	-	65	140	48	2.1	2.1	3.350
NU413	NJ413	NUP413	N413	NF413	65	160	37	2.1	2.1	3.500
NU214	NJ214	NUP214	N214	NF214	70	125	24	15	15	1.100
NU2214	NJ2214	NUP2214	-	-	70	125	31	15	15	0.147
NU314	NJ314	NUP314	N314	NF314	70	150	35	2.1	2.1	2.600
NU2314	NJ2314	NUP2314	-	-	70	150	51	2.1	2.1	3.980
NU414	NJ414	NUP414	N414	NF414	70	180	42	3.0	3.0	5.100
NU215	NJ215	NUP215	N215	NF215	75	130	25	15	15	1.210
NU2215	NJ2215	NUP2215	-	-	75	130	31	15	15	1.550
NU315	NJ315	NUP315	N315	NF315	75	160	37	2.1	2.1	3.210
NU2315	NJ2315	NUP2315	-	-	75	160	55	2.1	2.1	4.870
NU415	NJ415	NUP415	N415	NF415	75	190	45	3.0	3.0	6.208
NU216	NJ216	NUP216	N216	NF216	80	140	26	2.0	2.0	1.500
NU2216	NJ2216	NUP2216	-	-	80	140	33	2.0	2.0	2.010
NU316	NJ316	NUP316	N316	NF316	80	170	39	2.1	2.1	3.800
NU2316	NJ2316	NUP2316	-	-	80	170	58	2.1	2.1	5.790
NU416	NJ416	NUP416	N416	NF416	80	200	48	3.0	3.0	7.140
NU217	NJ217	NUP217	N217	NF217	85	150	28	2.0	2.0	1.870

Bearing No.					Dimensions					Weight (Kg.)
Series					(mm)					
NU	NJ	NUP	N	NF	d	D	B	r	r1	
NU2217	NJ2217	NUP2217	-	-	85	150	36	2.0	2.0	2.440
NU317	NJ317	NUP317	N317	NF317	85	180	41	3.0	3.0	5.330
NU2317	NJ2317	NUP2317	-	-	85	180	60	3.0	3.0	6.700
NU417	NJ417	NUP417	N417	NF417	85	210	52	4.0	4.0	9.170
NU218	NJ218	NUP218	N218	NF218	90	160	30	2.0	2.0	2.250
NU2218	NJ2218	NUP2218	-	-	90	160	40	2.0	2.0	3.100
NU318	NJ318	NUP318	N318	NF318	90	190	43	3.0	3.0	6.280
NU2318	NJ2318	NUP2318	-	-	90	190	64	3.0	3.0	7.950
NU418	NJ418	NUP418	N418	NF418	90	225	54	4.0	4.0	10.900
NU219	NJ219	NUP219	N219	NF219	95	170	32	2.1	2.1	2.830
NU2219	NJ2219	NUP2219	-	-	95	170	43	2.1	2.1	3.790
NU319	NJ319	NUP319	N319	NF319	95	200	45	3.0	3.0	6.990
NU2319	NJ2319	NUP2319	-	-	95	200	67	3.0	3.0	9.200
NU419	NJ419	NUP419	N419	NF419	95	240	55	4.0	4.0	12.900
NU220	NJ220	NUP220	N220	NF220	100	180	34	2.1	2.1	3.320
NU2220	NJ2220	NUP2220	-	-	100	180	46	2.1	2.1	4.570
NU320	NJ320	NUP320	N320	NF320	100	215	47	3.0	3.0	7.320
NU2320	NJ2320	NUP2320	-	-	100	215	73	3.0	3.0	11.700
NU420	NJ420	NUP420	N420	NF420	100	250	58	4.0	4.0	14.500
NU221	NJ221	NUP221	N221	NF221	105	190	36	2.1	2.1	3.870
NU321	NJ321	NUP321	N321	NF321	105	225	49	3.0	3.0	9.400
NU421	NJ421	NUP421	N421	NF421	105	260	60	4.0	4.0	16.200
NU222	NJ222	NUP222	N222	NF222	110	200	38	2.1	2.1	4.540
NU2222	NJ2222	NUP2222	-	-	110	200	53	2.1	2.1	6.560
NU322	NJ322	NUP322	N322	NF322	110	240	50	3.0	3.0	10.300
NU2322	NJ2322	NUP2322	-	-	110	240	80	3.0	3.0	17.100
NU422	NJ422	NUP422	N422	NF422	110	280	65	4.0	4.0	20.600
NU224	NJ224	NUP224	N224	NF224	120	215	40	2.1	2.1	5.460
NU2224	NJ2224	NUP2224	-	-	120	215	58	2.1	2.1	8.190
NU324	NJ324	NUP324	N324	NF324	120	260	55	3.0	3.0	12.500
NU2324	NJ2324	NUP2324	-	-	120	260	86	3.0	3.0	21.500
NU424	NJ424	NUP424	N424	NF424	120	310	72	5.0	5.0	28.200
NU226	NJ226	NUP226	N226	NF226	130	230	40	3.0	3.0	6.170
NU2226	NJ2226	NUP2226	-	-	130	230	64	3.0	3.0	10.200
NU326	NJ326	NUP326	N326	NF326	130	280	58	4.0	4.0	17.000
NU2326	NJ2326	NUP2326	-	-	130	280	93	4.0	4.0	29.600
NU426	NJ426	NUP426	N426	NF426	130	340	78	5.0	5.0	36.800
NU228	NJ228	NUP228	N228	NF228	140	250	42	3.0	3.0	7.720
NU2228	NJ2228	NUP2228	-	-	140	250	68	3.0	3.0	12.900
NU328	NJ328	NUP328	N328	NF328	140	300	62	4.0	4.0	20.700
NU2328	NJ2328	NUP2328	-	-	140	300	102	4.0	4.0	33.800
NU428	NJ428	NUP428	N428	NF428	140	360	82	5.0	5.0	43.200
NU230	NJ230	NUP230	N230	NF230	150	270	45	3.0	3.0	9.720

Bearing No.					Dimensions					Weight (Kg.)
Series					(mm)					
NU	NJ	NUP	N	NF	d	D	B	r	r1	
NU2230	NJ2230	NUP2230	-	-	150	270	73	3.0	3.0	19.200
NU330	NJ330	NUP330	N330	NF330	150	320	65	4.0	4.0	24.700
NU2330	NJ2330	NUP2330	-	-	150	320	108	4.0	4.0	40.600
NU430	NJ430	NUP430	N430	NF430	150	380	85	5.0	5.0	49.600

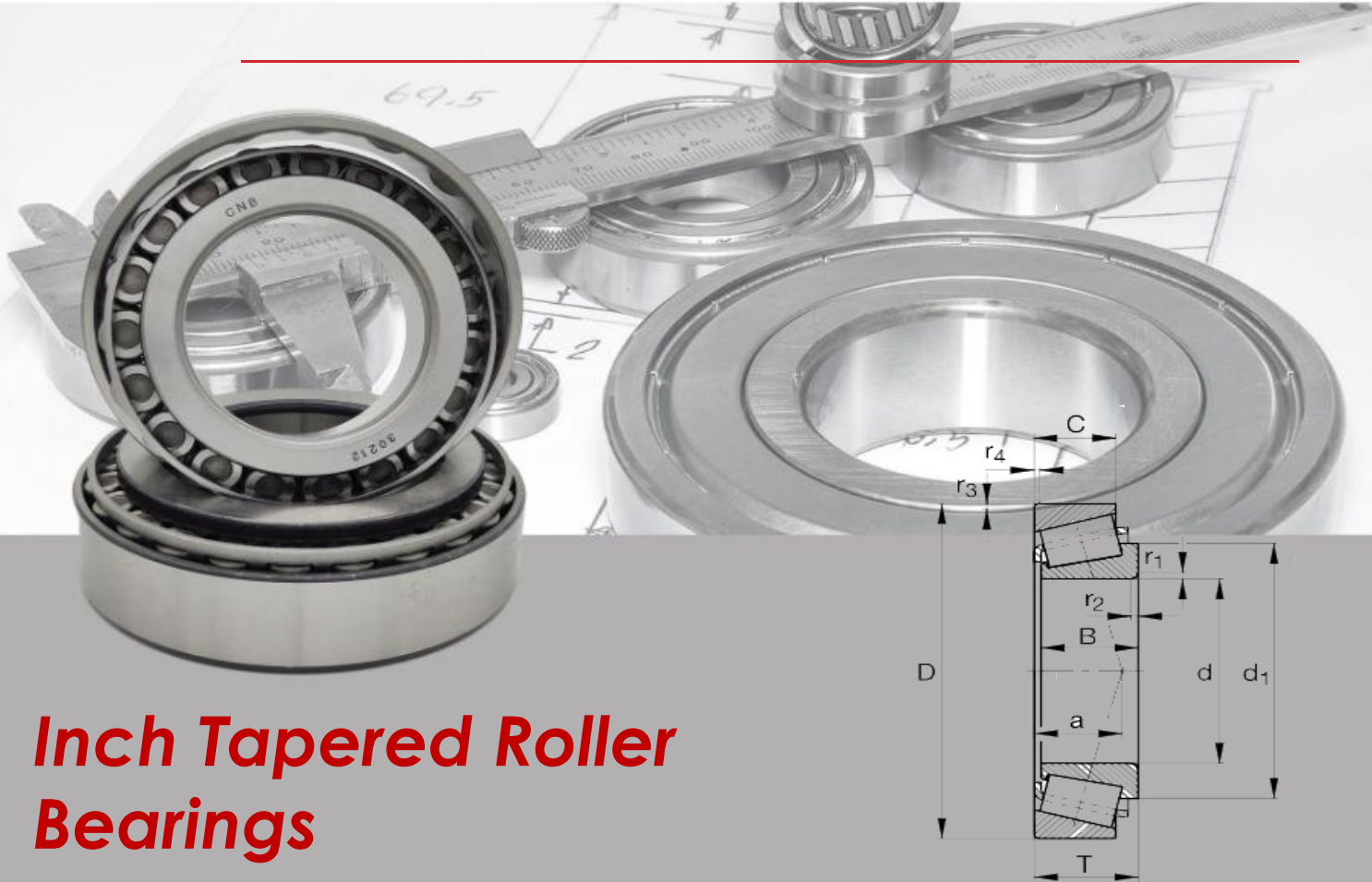


Needle Roller Bearing

Bearing No.	Dimensions (mm)				Weight (Kg.)	Bearing Type
	d	D	B	F		
HK0509	5	8	9	-	0.0019	Drawn cup needle roller bearing
HK0609	6	10	9	-	0.0022	Drawn cup needle roller bearing
HK0709	7	11	9	-	0.0025	Drawn cup needle roller bearing
HK0810	8	12	10	-	0.0032	Drawn cup needle roller bearing
HK0912	9	13	12	-	0.0042	Drawn cup needle roller bearing
HK1010	10	14	10	-	0.0038	Drawn cup needle roller bearing
HK1012	10	14	12	-	0.0045	Drawn cup needle roller bearing
HK1015	10	14	15	-	0.0056	Drawn cup needle roller bearing
HK1210	12	16	10	-	0.0046	Drawn cup needle roller bearing
HK1212	12	18	12	-	0.0091	Drawn cup needle roller bearing
HK1312	13	19	12	-	0.0100	Drawn cup needle roller bearing
HK1412	14	20	12	-	0.0110	Drawn cup needle roller bearing
HK1512	15	21	12	-	0.0110	Drawn cup needle roller bearing
HK1516	15	21	16	-	0.0150	Drawn cup needle roller bearing
HK1522	15	21	22	-	0.0200	Drawn cup needle roller bearing
HK1612	16	22	12	-	0.0120	Drawn cup needle roller bearing
HK1616	16	22	16	-	0.0160	Drawn cup needle roller bearing
HK1622	16	22	22	-	0.0220	Drawn cup needle roller bearing
HK1712	17	23	12	-	0.0120	Drawn cup needle roller bearing
HK1812	18	24	12	-	0.0130	Drawn cup needle roller bearing
HK1816	18	24	16	-	0.0180	Drawn cup needle roller bearing
HK2012	20	26	12	-	0.0140	Drawn cup needle roller bearing
HK2016	20	26	16	-	0.0190	Drawn cup needle roller bearing

Bearing No.	Dimensions (mm)				Weight (Kg.)	Bearing Type
	d	D	B	F		
HK2020	20	26	20	-	0.0240	Drawn cup needle roller bearing
HK2030	20	26	30	-	0.0350	Drawn cup needle roller bearing
HK2212	22	28	12	-	0.0130	Drawn cup needle roller bearing
HK2216	22	28	16	-	0.0210	Drawn cup needle roller bearing
HK2220	22	28	20	-	0.0260	Drawn cup needle roller bearing
HK2512	25	32	12	-	0.0210	Drawn cup needle roller bearing
HK2516	25	32	16	-	0.0270	Drawn cup needle roller bearing
HK2520	25	32	20	-	0.0340	Drawn cup needle roller bearing
HK2526	25	32	26	-	0.0450	Drawn cup needle roller bearing
HK2538	25	32	38	-	0.0650	Drawn cup needle roller bearing
HK2816	28	35	16	-	0.0300	Drawn cup needle roller bearing
HK2820	28	35	20	-	0.0380	Drawn cup needle roller bearing
HK3012	30	37	12	-	0.0240	Drawn cup needle roller bearing
HK3016	30	37	16	-	0.0320	Drawn cup needle roller bearing
HK3020	30	37	20	-	0.0400	Drawn cup needle roller bearing
HK3026	30	37	26	-	0.0530	Drawn cup needle roller bearing
HK3038	30	37	38	-	0.0760	Drawn cup needle roller bearing
HK3512	35	42	12	-	0.0280	Drawn cup needle roller bearing
HK3516	35	42	16	-	0.0370	Drawn cup needle roller bearing
HK3520	35	42	20	-	0.0460	Drawn cup needle roller bearing
HK4012	40	47	12	-	0.0310	Drawn cup needle roller bearing
HK4016	40	47	16	-	0.0410	Drawn cup needle roller bearing
HK4020	40	47	20	-	0.0520	Drawn cup needle roller bearing
HK4516	45	52	16	-	0.0460	Drawn cup needle roller bearing
HK4520	45	52	20	-	0.0580	Drawn cup needle roller bearing
HK5020	50	58	20	-	0.0270	Drawn cup needle roller bearing
HK5025	50	58	25	-	0.0900	Drawn cup needle roller bearing
NA4900-2RS	10	22	13	14	0.0250	Machined ring needle roller bearing
NA4901 2RS	12	24	13	16	0.0280	Machined ring needle roller bearing
NA4902 2RS	15	28	13	20	0.0360	Machined ring needle roller bearing
NA4903 2RS	17	30	13	22	0.0390	Machined ring needle roller bearing
NA4904 2RS	20	37	17	25	0.0800	Machined ring needle roller bearing
NA4905 2RS	25	42	17	30	0.0930	Machined ring needle roller bearing
NA4906 2RS	30	47	17	35	0.1070	Machined ring needle roller bearing
NA4907 2RS	35	55	20	42	0.1750	Machined ring needle roller bearing
NA4908 2RS	40	62	22	48	0.2520	Machined ring needle roller bearing
NA4909-2RS	45	68	22	52	0.2900	Machined ring needle roller bearing
NA4910-2RS	50	72	22	58	0.2950	Machined ring needle roller bearing
NA4911-2RS	55	80	25	63	0.4100	Machined ring needle roller bearing
NA4912-2RS	60	85	25	68	0.4400	Machined ring needle roller bearing
NA4913-2RS	65	90	25	72	0.4700	Machined ring needle roller bearing
NA4914-2RS	70	100	30	80	0.7650	Machined ring needle roller bearing
NA6901 2RS	12	24	22	16	0.0445	Machined ring needle roller bearing
NA6902 2RS	15	28	23	20	0.0610	Machined ring needle roller bearing

Bearing No.	Dimensions (mm)				Weight (Kg.)	Bearing Type
	d	D	C	F		
NA6903 2RS	17	30	23	22	0.0670	Machined ring needle roller bearing
NA6904 2RS	20	37	30	25	0.1360	Machined ring needle roller bearing
NA6905 2RS	25	42	30	30	0.1600	Machined ring needle roller bearing
NA6906 2RS	30	47	30	35	0.1840	Machined ring needle roller bearing
NA6907 2RS	35	55	36	42	0.3200	Machined ring needle roller bearing
NA6908 2RS	40	62	40	48	0.4400	Machined ring needle roller bearing
NA6909-2RS	45	68	40	52	0.5200	Machined ring needle roller bearing
NA6910-2RS	50	72	40	58	0.5300	Machined ring needle roller bearing
NA6911-2RS	55	80	45	63	0.7300	Machined ring needle roller bearing
NA6912-2RS	60	85	45	68	0.7850	Machined ring needle roller bearing
NA6913-2RS	65	90	45	72	0.8400	Machined ring needle roller bearing
NAST6-ZZR	6	19	10	9.8	0.0170	Roller followers yoke type truck rollers
NAST8-ZZR	8	24	10	9.8	0.0260	Roller followers yoke type truck rollers
NAST10-ZZR	10	30	12	11.8	0.0490	Roller followers yoke type truck rollers
NAST12-ZZR	12	32	12	11.8	0.0570	Roller followers yoke type truck rollers
NAST15-ZZR	15	35	12	11.8	0.0620	Roller followers yoke type truck rollers
NAST17-ZZR	17	40	16	15.8	0.1070	Roller followers yoke type truck rollers
NAST20-ZZR	20	47	16	15.8	0.1510	Roller followers yoke type truck rollers
NAST25-ZZR	25	52	16	15.8	0.1740	Roller followers yoke type truck rollers
NAST30-ZZR	30	62	20	19.8	0.3200	Roller followers yoke type truck rollers
NAST40-ZZR	40	80	20	19.8	0.5260	Roller followers yoke type truck rollers
NAST45-ZZR	45	85	20	19.8	0.5510	Roller followers yoke type truck rollers
NAST50-ZZR	50	90	20	19.8	0.6100	Roller followers yoke type truck rollers
NK1816	18	26	16	-	0.025	Machined ring needle roller bearing
NK2016	20	28	16	-	0.027	Machined ring needle roller bearing
NK2416	24	32	16	-	0.032	Machined ring needle roller bearing
NK2420	24	32	20	-	0.040	Machined ring needle roller bearing
NK2516	25	33	16	-	0.033	Machined ring needle roller bearing
NK2520	25	33	20	-	0.042	Machined ring needle roller bearing
NK2820	28	37	20	-	0.052	Machined ring needle roller bearing
NK3020	30	40	20	-	0.065	Machined ring needle roller bearing
NK3030	30	40	30	-	0.098	Machined ring needle roller bearing
NK3730	37	47	30	-	0.107	Machined ring needle roller bearing
NK4530	45	55	30	-	0.139	Machined ring needle roller bearing
NK4720	47	57	20	-	0.095	Machined ring needle roller bearing
NK4730	47	57	30	-	0.142	Machined ring needle roller bearing
NK5025	50	62	25	-	0.158	Machined ring needle roller bearing
NK5035	50	62	35	-	0.221	Machined ring needle roller bearing
NK5525	55	68	25	-	0.193	Machined ring needle roller bearing
NK5535	55	68	35	-	0.260	Machined ring needle roller bearing
NK6025	60	72	25	-	0.185	Machined ring needle roller bearing
NK6035	60	72	35	-	0.258	Machined ring needle roller bearing
NK6525	65	78	25	-	0.221	Machined ring needle roller bearing
NK6535	65	78	35	-	0.310	Machined ring needle roller bearing



Inch Tapered Roller Bearings

Bearing No.	Dimensions (mm)							Weight (Kg.)
	d	D	T	B	C	r	r2	
639213	15.000	42.000	10.000	13.500	10.000	-	-	0.094
11590/11520	15.875	42.862	14.288	14.288	9.525	0.8	0.8	0.103
TR0305AF4	17.000	47.000	16.000	-	-	-	-	0.145
TR0305C-9	17.000	47.000	15.000	-	-	-	-	0.140
11749/11710	17.462	39.878	13.843	14.605	10.688	1.2	1.2	0.084
11949/11910	19.050	45.237	15.494	16.637	12.065	1.2	1.2	0.122
21075/21212	19.050	53.975	22.225	21.839	15.875	1.5	2.3	0.248
09067/09195	19.050	49.225	18.034	19.050	14.228	1.3	1.3	0.179
09067/09195	19.050	49.225	18.034	19.050	14.228	1.3	1.3	0.179
09081/9195	20.625	49.225	19.845	21.539	14.288	1.5	1.3	0.201
12649/12610	21.430	50.005	17.526	18.288	13.970	1.2	1.2	0.169
12749/12710	22.000	45.237	16.637	12.065	15.494	1.3	1.3	0.118
12749/12711	22.000	45.975	15.494	16.637	12.065	1.2	1.2	0.121
1280/1220	22.225	57.150	22.225	22.225	17.462	0.8	1.6	0.289
639175	23.000	52.000	15.000	14.260	12.700	-	-	0.148
44640/44610	23.812	50.292	14.224	14.732	10.668	1.6	1.2	0.137
44643/44610	25.400	50.292	14.224	14.732	10.668	1.3	1.3	0.130
15578/15520	25.400	57.150	17.462	17.462	13.495	1.3	1.5	0.221
84548/84510	25.400	57.150	19.431	19.431	14.732	1.5	1.5	0.241
15101/15245	25.400	62.000	19.050	20.638	14.288	0.8	1.3	0.303
15579/15520	25.987	57.150	17.462	17.462	13.495	3.6	1.6	0.221
639174	26.000	52.000	15.000	14.260	12.700	-	-	0.136
7805/26	26.000	57.150	17.460	-	-	-	-	0.220

Bearing No.	Dimensions (mm)							Weight (Kg.)
	d	D	T	B	C	r	r2	
15103S/15243	26.157	61.912	-	20.638	-	-	-	-
15103S/15245	26.160	62.000	19.050	20.638	14.290	0.8	13	0.102
44649/44610	26.988	50.292	14.224	14.732	10.688	3.6	12	0.120
ST2749	27.000	49.000	15.000	-	-	-	-	0.140
28KW01	28.000	50.050	16.800	-	-	-	-	0.140
320/28	28.000	52.000	16.000	16.000	12.000	1.0	1.0	0.150
7805/28	28.000	57.150	17.460	-	-	-	-	0.220
TF28KW02G5SA	28.000	52.000	18.400	-	-	-	-	0.160
TF28KW04G5SA	28.000	50.000	19.000	-	-	-	-	0.140
1988/1922	28.575	57.150	19.845	19.355	15.875	3.6	1.6	0.228
86647/86610	28.575	64.292	21.432	21.432	16.670	1.6	1.6	0.348
02474/02420	28.575	68.262	22.225	22.225	17.462	0.8	1.6	0.420
15112/15250	28.580	63.500	20.640	20.638	15.880	3.6	1.2	0.305
45449/45410	29.000	50.292	14.224	14.732	10.668	3.6	1.2	0.109
14118/14283	30.000	72.085	22.385	19.202	18.415	-	-	0.436
STA3072-9LFT	30.000	72.000	24.000	-	-	-	-	0.462
86649/86610	30.162	64.292	21.432	21.432	16.670	1.6	1.6	0.336
88043/88010	30.162	68.262	22.225	22.225	17.462	2.4	1.6	0.402
15120/15245	30.213	62.000	19.050	20.638	14.288	0.8	1.2	0.267
31KW01G5	31.700	54.000	16.000	-	-	-	-	0.120
15123/15245	31.750	62.000	18.161	19.050	14.288	1.0	1.2	0.244
67048/6710	31.750	59.131	15.875	16.764	11.811	3.6	1.3	0.176
88542/88510	31.750	73.025	29.370	27.783	23.020	1.2	3.2	0.622
2580/2520	31.750	66.421	25.400	25.357	20.638	0.8	3.2	0.409
2580/2523	31.750	69.850	23.812	25.357	19.050	0.8	1.3	0.451
67049/67010	31.750	59.131	-	16.764	-	-	-	-
14125A/14276	31.750	69.012	19.845	19.583	15.875	3.5	1.3	0.354
88046/88010	31.750	68.262	22.225	22.225	17.462	1.6	1.6	0.389
320/32	32.000	58.000	17.000	17.000	13.000	1.0	1.0	0.196
32KB02/11B	32.000	65.000	28.000	-	-	-	-	-
88048/88010	33.338	68.262	22.225	22.225	17.462	1.5	0.8	0.378
88547/88510	33.338	73.025	29.370	27.783	23.020	0.8	3.2	0.604
88649/88610	34.925	72.233	25.400	25.400	19.842	2.4	2.4	0.489
48548/48510	34.925	65.088	18.034	18.288	13.970	2.4	1.2	0.243
14138A/14276	34.925	69.012	19.845	19.583	15.875	3.5	1.3	0.330
25877/25821	34.925	73.025	23.812	24.608	19.050	1.6	0.8	0.467
89446/89410	34.925	76.200	29.370	28.575	23.020	3.5	3.3	0.657
14137A/14276	34.925	69.012	19.845	19.583	15.875	1.5	1.3	0.331
3478/3420	34.925	79.375	29.370	29.771	23.812	3.5	3.3	0.725
3872/3820	34.925	85.725	30.162	30.162	23.812	3.5	3.3	0.897
68149/68110	34.987	59.131	15.875	16.764	11.938	2.1	1.2	0.179
68149/68111	34.987	59.975	15.875	16.764	11.938	2.0	1.2	0.179
78349/78310	35.000	62.000	16.700	17.000	13.600	spec.	1.0	0.210
14585/14525	35.000	68.250	21.500	-	-	-	-	0.322

Bearing No.	Dimensions (mm)							Weight (Kg.)
	d	D	T	B	C	r	r2	
68149/68110	35.000	59.131	15.875	16.764	11.938	spec.	13	0.173
68149/68111	35.000	59.975	15.875	16.764	11.938	spec.	13	0.181
68145/68111	35.000	60.000	15.875	-	-	-	-	0.193
SC070902JVNA	35.000	90.000	23.000	-	-	-	-	0.808
TR070803C	35.000	80.000	31.000	-	-	-	-	0.740
U298/U261	35.000	65.000	20.500	17.000	-	-	-	0.280
25880/25820	36.487	73.025	23.812	-	-	15	2.3	0.350
2780/2720	36.487	76.200	23.812	25.654	19.050	15	3.3	0.420
89249/89210	36.512	79.375	29.370	28.829	22.664	3.5	3.3	0.674
89449/89410	36.512	76.200	29.370	28.575	23.020	3.5	3.3	0.626
46143/46368	36.512	93.662	31.750	31.750	26.195	15	3.3	1.170
69349/69310	38.000	63.000	17.000	17.000	13.500	3.6	13	0.198
57410/29710	38.100	65.088	18.034	21.139	13.970	4.75	13	0.246
13685/13620	38.100	69.012	19.050	19.050	15.083	3.5	0.8	0.296
801346/801310	38.100	82.550	29.370	28.575	23.020	0.8	3.2	0.770
29748/29710	38.100	65.088	18.034	18.288	13.970	2.3	12	0.233
29749/29710	38.100	65.088	18.034	18.288	13.970	2.3	13	0.235
29749/29711	38.100	65.088	19.812	18.288	115.748	2.4	12	0.250
2788/2720	38.100	76.200	23.812	25.654	19.050	3.5	3.3	0.499
3490/3420	38.100	79.375	29.370	29.771	23.812	3.6	3.2	0.683
418/414	38.100	88.501	26.988	29.083	22.225	3.6	1.6	0.840
2788/2720	38.100	76.200	23.812	25.654	19.050	3.5	3.3	0.499
801346/801322	38.100	82.550	29.370	28.575	23.020	3.5	3.3	0.767
16150/16284	38.100	72.238	20.638	20.638	15.875	3.6	1.2	0.351
2789/2735	39.688	73.025	23.812	25.654	19.050	3.6	0.8	0.411
3382/3320	39.688	80.167	-	30.391	-	-	-	-
U399/U360L	39.688	73.025	22.098	19.395	-	-	-	0.770
40KW01	40.000	80.000	34.000	-	-	-	-	0.830
TR081105AR	40.000	105.000	45.000	-	-	-	-	2.100
801349/801310	40.483	82.550	29.370	28.575	23.020	3.6	3.2	0.770
300849/300811	40.987	67.975	17.500	18.000	13.500	spec.	15	0.236
57414/300811	40.987	67.975	17.500	-	-	-	-	0.260
3585/3525	41.275	87.313	30.163	30.886	23.813	1.6	3.2	0.830
11162/11300	41.275	76.200	18.009	17.380	14.288	1.6	1.6	0.337
802048/802011	41.275	82.550	26.543	25.654	20.193	3.5	3.3	0.642
18590/18520	41.275	73.025	16.667	17.462	12.700	1.6	1.6	0.281
24780/24720	41.275	76.200	22.225	23.020	17.462	3.5	0.8	0.432
501349/501310	41.275	73.431	19.558	19.812	14.732	3.6	0.8	0.331
501349/501314	41.275	73.341	21.430	19.812	16.604	3.5	0.8	0.355
26882/26820	41.275	80.167	25.400	25.400	20.638	3.5	3.3	0.568
26882/26822	41.275	79.375	23.812	25.400	19.050	3.5	0.8	0.535
3384/3320	41.275	80.167	29.370	30.391	23.813	0.8	3.2	0.636
3577/3525	41.275	87.312	30.162	30.886	23.812	0.8	3.3	0.830
4388/4335	41.275	90.488	39.688	40.386	33.338	3.6	3.2	1.229

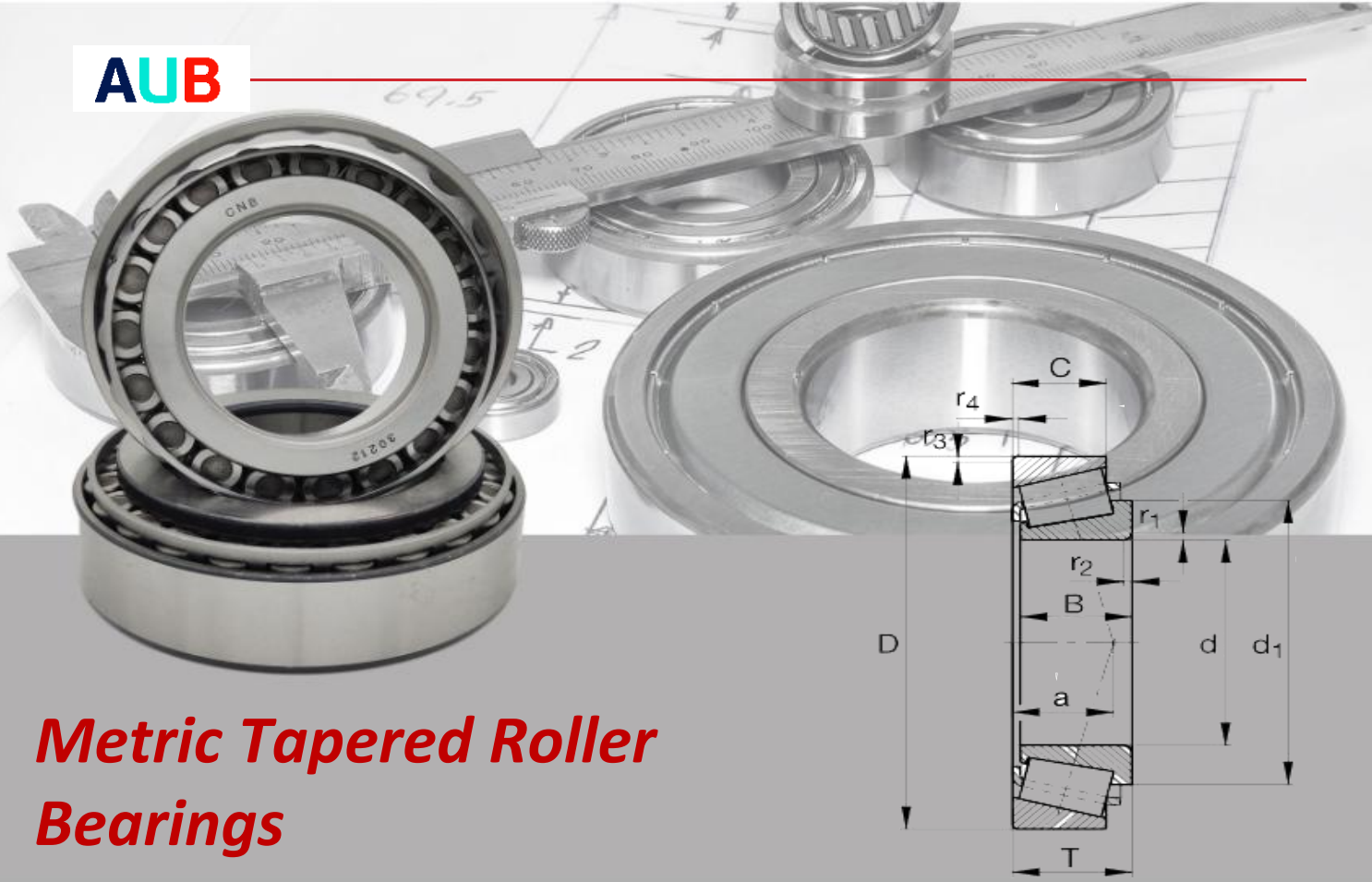
Bearing No.	Dimensions (mm)							Weight (Kg.)
	d	D	T	B	C	r	r2	
803146/803110	41.275	88.900	30.162	29.370	23.020	3.6	3.2	0.892
3579/3525	42.862	87.312	30.162	30.886	23.812	3.5	3.3	0.820
25577/25521	42.875	83.058	23.812	25.400	19.050	3.5	3.3	0.582
33885/33822	44.450	95.250	27.783	-	-	0.8	0.8	1.000
25580/25520	44.450	82.931	23.810	25.400	19.050	3.5	0.8	0.556
355X/352	44.450	90.119	23.000	21.926	21.808	-	-	0.661
903249/903210	44.450	95.250	30.958	28.575	22.225	3.6	0.8	1.000
3782/3720	44.450	93.264	30.162	30.302	23.812	3.5	3.3	0.961
535/532 A	44.450	111.125	38.100	36.957	30.162	3.6	3.2	1.840
803149/803110	44.450	88.900	30.162	29.370	23.020	3.6	3.2	0.849
3578/3525	44.450	87.312	30.162	30.886	23.812	3.5	3.3	0.779
803149/803112	44.450	92.075	30.163	29.370	23.020	3.6	3.2	0.924
3776/3720	44.983	93.264	30.162	30.302	23.812	3.6	3.2	0.979
25584/25520	44.983	82.931	23.812	25.400	19.050	3.5	3.3	1.545
T2ED045	45.000	95.000	36.000	35.000	30.000	2.5	2.5	1.200
127509	45.000	85.000	25.100	-	-	-	-	0.600
17887/17831	45.230	79.985	19.842	20.638	15.080	2.0	1.3	0.410
102949/102910	45.242	73.431	19.558	19.812	15.748	3.6	0.8	0.315
603049/603011	45.242	77.788	19.842	19.842	15.080	3.6	0.8	0.372
603049/603012	45.242	77.788	21.430	19.842	16.667	3.6	0.8	0.381
25590/25520	45.618	82.931	23.810	25.400	19.050	3.5	0.8	0.538
25590/25523	45.618	82.931	26.988	25.400	22.225	3.5	2.3	0.562
503349/503310	46.000	75.000	18.000	18.000	14.000	2.3	1.5	0.305
18690/18620	46.038	79.375	17.462	17.462	13.495	2.8	1.5	0.337
359S/354X	46.038	85.000	20.638	21.692	17.462	2.4	1.2	0.487
RNU0727	47.500	70.631	27.000	-	-	-	-	0.320
3779/3720	47.625	93.264	30.163	30.302	23.813	3.6	3.2	0.892
528/522	47.625	101.600	34.925	36.068	26.988	3.6	3.2	1.282
506349/506310	49.987	114.300	44.450	44.450	36.068	3.5	3.3	2.270
104948/104910	50.000	82.000	21.500	21.500	17.000	3.0	0.5	0.435
50KW01	50.000	93.264	30.162	-	-	-	-	0.884
TR100802-2	50.000	83.000	22.000	-	-	-	-	0.440
TRA0607RYR	50.000	72.000	20.750	-	-	-	-	0.410
33889/33822	50.800	95.250	27.783	28.575	22.225	3.6	0.8	0.899
104949/104910	50.800	82.000	21.976	22.225	17.000	3.5	1.3	0.410
104949/104911	50.800	82.550	21.590	22.225	16.510	3.6	1.2	0.419
55200/55437	50.800	111.125	30.162	26.909	20.638	3.5	3.3	1.359
18790/18720	50.800	85.000	17.462	17.462	13.495	3.5	1.5	0.375
368A/362A	50.800	88.900	20.638	22.225	16.513	3.5	1.3	0.504
28580/28521	50.800	92.075	24.608	25.400	19.845	3.5	0.8	0.696
33889/33821	50.800	95.250	27.783	28.575	22.225	3.5	2.3	0.876
368A/362A	50.800	88.900	20.638	22.225	16.513	3.5	1.3	0.504
3780/3720	50.800	93.264	30.162	30.302	23.812	3.5	0.8	0.848
537/532X	50.800	107.950	36.512	36.957	28.575	3.6	3.2	1.532

Bearing No.	Dimensions (mm)							Weight (Kg.)
	d	D	T	B	C	r	r2	
807046/807010	50.800	104.775	36.512	36.512	28.575	3.6	3.2	1.490
72200C/72487	50.800	123.825	36.512	32.791	25.400	3.6	3.2	2.100
529X/522	50.800	101.600	34.925	36.068	26.988	3.6	3.2	1.240
45284/45220	50.800	104.775	30.162	30.958	23.812	6.4	3.2	1.218
28584/28521	52.388	92.075	24.608	25.400	19.845	3.6	0.8	0.671
33895/33822	53.975	95.250	27.783	28.575	22.225	1.6	0.8	0.818
539/532A	53.975	111.125	36.512	36.957	28.575	3.6	3.2	1.650
621/612	53.975	120.650	41.275	41.275	31.750	3.6	3.2	2.210
72212/72487	53.975	123.825	36.512	32.791	25.400	3.6	3.2	2.042
78215C/78551	53.975	140.030	-	33.236	-	-	-	-
806649/806610	53.975	88.900	19.050	19.050	13.492	2.4	2.0	0.447
506849/506810	55.000	90.000	23.000	23.000	18.500	1.6	0.5	0.558
207049/207010	55.000	95.000	29.000	29.000	23.500	15	2.5	0.820
32310/55	55.000	110.000	42.250	-	-	-	-	1.850
55KW02	55.000	105.000	37.000	-	-	-	-	1.430
28680/28622	55.562	97.630	24.608	24.608	19.446	3.6	0.8	0.769
387/382	57.150	96.838	21.000	21.946	17.826	2.4	0.8	0.657
387A/382A	57.150	96.838	21.000	21.946	15.875	3.6	0.8	0.610
39581/39520	57.150	112.712	30.162	30.162	23.812	7.9	3.2	1.346
462/453X	57.150	104.775	30.162	29.317	24.605	2.4	3.2	1.060
387/82	57.150	96.838	21.000	21.946	17.826	2.4	0.8	0.583
3979/3920	57.150	112.712	30.162	30.048	23.812	3.6	3.2	1.400
469/453X	57.150	104.775	30.162	29.317	24.605	3.6	3.2	1.110
508748/508710	60.000	95.000	24.000	24.000	19.000	5.0	2.5	0.606
T2ED060	60.000	115.000	39.000	-	-	-	-	-
28985/28920	60.325	101.600	25.400	25.400	19.845	3.6	3.2	0.810
28985/28921	60.325	100.000	25.400	25.400	19.845	3.6	3.2	0.770
392/394A	61.913	110.000	22.000	21.996	18.824	0.8	13	0.900
29586/29520	63.500	107.950	25.400	25.400	19.050	1.6	3.2	0.940
29586/29522	63.500	107.950	25.400	25.400	19.050	1.6	0.8	0.930
3982/3927	63.500	110.000	-	30.048	-	-	-	-
395A/394A	63.500	110.000	22.000	21.996	18.825	13	0.8	0.791
3982/3920	63.500	112.712	30.162	30.048	23.812	3.5	3.3	1.246
212047/212010	63.500	122.238	38.100	38.354	29.718	7.0	15	1.944
565/562	63.500	127.000	36.512	36.170	28.575	3.5	0.8	2.110
3982/3927SX	63.500	110.000	29.370	30.048	23.020	-	-	1.148
212047/212011	63.500	122.238	38.100	38.354	29.718	7.0	3.3	1.938
565/563	63.500	127.000	36.512	36.170	28.575	3.5	3.3	2.110
6379/6320	65.088	135.755	53.975	56.007	44.450	3.5	3.3	3.710
29590/29522	66.675	107.950	25.400	25.400	19.050	3.6	0.8	0.904
212049/212011	66.675	122.238	38.100	38.354	29.718	3.5	3.3	1.848
212049/212010	66.675	122.238	38.100	38.354	29.718	3.5	15	1.860
6386/6320	66.675	135.755	53.975	56.007	44.450	4.3	3.2	3.640
3984/3920	66.675	112.712	30.162	30.048	23.812	3.6	3.3	0.790

Bearing No.	Dimensions (mm)							Weight (Kg.)
	d	D	T	B	C	r	r2	
39590/39520	66.675	112.712	30.162	30.162	23.812	3.5	3.3	1.170
33262/33462	66.675	117.475	30.162	30.162	23.812	3.6	3.2	1.346
560/552A	66.675	123.825	38.100	36.678	30.162	3.5	3.3	1.920
560S/552A	68.262	123.825	38.100	36.678	30.162	3.5	3.3	1.942
414245/414210	68.262	136.525	41.275	41.275	31.750	3.6	3.2	2.708
47487/47420	69.850	120.000	32.545	32.545	26.195	3.5	3.3	1.448
482/472	69.850	120.000	29.794	29.007	24.237	3.6	2.0	1.330
33275/33472	69.850	117.475	29.794	30.163	23.444	3.5	0.8	1.347
29675/29620	69.850	112.712	25.400	25.400	19.050	1.6	3.2	1.000
33275/33462	69.850	117.475	30.162	30.162	23.812	3.6	3.2	1.266
745A/742	69.850	150.089	44.450	44.672	36.512	3.5	3.3	6.130
913849/913810	69.850	146.050	41.275	39.688	25.400	3.6	3.2	2.848
612949/612910	70.000	120.000	29.000	29.000	23.000	3.0	2.5	1.100
484/472	70.000	120.000	29.794	29.007	24.237	2.0	2.0	1.330
813049/813010	70.000	110.000	26.000	25.000	20.500	1.0	2.5	0.890
T2ED070	70.000	130.000	43.000	42.000	35.000	3.0	2.5	2.480
534565	70.000	130.000	57.500	-	-	-	-	2.786
33281/33472	71.438	127.000	29.794	30.163	23.444	3.5	0.8	1.230
33281/33462	71.438	117.475	30.162	30.162	23.812	3.6	3.2	1.240
47490/47420	71.438	120.000	32.545	32.545	26.195	3.5	3.3	1.420
644/632	71.438	136.525	41.275	41.275	31.750	3.5	3.3	2.570
567/563	73.025	127.000	36.512	36.170	28.575	3.5	3.3	1.800
29685/29620	73.025	112.713	25.400	25.400	19.050	3.5	3.3	0.873
33287/33462	73.025	117.475	30.162	30.162	23.812	3.6	3.2	1.183
29688/29620	73.817	112.712	25.400	25.400	19.050	1.6	3.2	0.860
714249/714210	75.000	120.000	31.000	29.500	25.000	3.0	2.5	1.299
714149/714110	75.000	115.000	25.000	25.000	19.000	3.0	2.8	0.875
415647/415610	75.000	145.000	51.000	51.000	42.000	3.0	2.5	3.810
215249/215210	75.987	131.976	-	39.000	-	-	-	-
748/742	76.200	150.089	44.450	46.672	36.512	3.5	3.3	3.660
47679/47620	76.200	133.350	33.338	33.338	26.195	3.6	0.8	1.930
755/752	76.200	161.250	47.625	48.260	38.100	-	-	5.100
575/572	76.200	139.920	36.512	36.098	28.575	3.5	3.3	2.360
515649/515610	80.000	130.000	35.000	34.000	28.500	3.2	2.5	1.600
496/493	80.962	136.525	30.162	29.769	22.225	3.5	3.3	1.690
516449/516410	82.550	133.350	39.688	39.688	32.545	3.6	3.2	2.180
27687/27620	82.550	125.412	25.400	25.400	19.845	3.5	1.5	1.070
580/572	82.550	139.992	36.512	36.098	28.575	3.5	3.3	2.200
580/572X	82.550	139.700	36.512	36.098	28.575	3.5	3.3	2.164
47686/47620	82.550	133.350	33.338	33.338	26.195	3.5	3.3	1.720
47687/47620	82.550	133.350	33.338	33.338	26.195	6.8	3.3	1.720
663/652	82.550	152.400	41.275	41.275	31.750	3.5	3.3	3.152
749A/742	82.550	150.890	44.450	46.672	36.512	3.5	3.3	3.250
663/653	82.550	146.050	41.275	41.275	31.750	3.6	3.2	2.790

Bearing No.	Dimensions (mm)							Weight (Kg.)
	d	D	T	B	C	r	r2	
498/493	84.138	136.525	30.162	29.769	22.225	3.5	3.3	1.600
716649/716610	85.000	130.000	30.000	29.000	24.000	6.0	2.5	1.390
749/742	85.026	150.089	44.450	46.672	36.512	3.5	3.3	3.250
596/592A	85.725	152.400	39.688	36.322	30.163	3.5	3.2	2.895
497/492A	85.725	133.350	30.162	29.769	22.225	3.6	3.2	1.407
759/752	88.900	161.925	47.625	48.260	38.100	3.6	3.2	4.090
759/752	88.900	161.925	47.625	48.260	38.100	3.5	3.3	4.090
6580/6535	88.900	161.925	53.975	55.100	42.862	3.5	3.3	4.730
593/592A	88.900	152.400	39.688	36.322	30.162	3.5	3.2	2.780
518445/518410	88.900	152.400	39.688	39.688	30.163	6.4	3.3	2.860
218248/218210	90.000	147.000	40.000	40.000	32.500	7.0	3.5	2.550
718149/718110	90.000	145.000	35.000	34.000	27.000	3.0	2.5	2.150
598A/593X	92.075	150.000	35.992	36.322	27.000	-	-	2.330
598A/592A	92.075	152.400	39.688	36.322	30.162	6.4	3.2	2.630
598/592A	92.075	152.400	39.688	36.322	30.162	3.5	3.2	2.660
47890/47820	92.075	146.050	33.338	34.925	26.195	3.5	3.3	2.080
594/592	95.250	152.400	39.688	36.322	33.338	3.5	3.3	2.510
683/672	95.250	168.275	41.275	41.275	30.162	3.5	3.3	3.700
594/592A	95.250	152.400	39.688	36.322	30.162	3.5	3.3	2.510
220149/220110	99.975	156.975	42.000	42.000	34.000	7.9	3.6	2.950
720249/720210	100.000	155.000	36.000	35.000	28.000	3.0	2.5	2.403
687/672	101.600	168.275	41.275	41.275	30.162	3.6	3.2	3.370
528946	105.000	170.000	40.000	-	-	-	-	3.285
56425/56650	107.950	165.100	36.512	36.512	26.988	3.5	3.3	2.661
56425/56650	107.950	165.100	36.512	36.512	26.988	3.5	3.3	2.690
37425/37625	107.950	158.750	23.020	21.438	15.875	3.5	3.3	1.370
37431/625	109.538	158.750	23.020	21.438	15.875	6.4	6.4	1.332
522549/522510	109.987	159.987	34.925	34.925	26.988	3.5	3.3	2.270
64450/64700	114.300	177.800	41.275	41.275	30.162	3.5	3.3	3.520
926740/926710	114.300	228.600	53.975	49.428	38.100	3.6	3.2	9.760
938/932	114.300	212.725	66.675	66.675	53.975	7.0	3.3	10.100
64450/64700	114.330	177.880	41.275	41.275	30.162	3.6	3.2	3.500
68462/68712	117.475	180.975	34.925	31.750	25.400	3.5	3.3	2.780
68462/68712	117.475	180.975	34.925	31.750	25.400	3.5	3.3	2.780
67388/67322	127.000	196.850	46.038	46.038	38.100	3.5	3.3	5.100
48393/48320	136.525	190.500	39.688	39.688	33.338	3.5	3.3	3.470
36690/36620	146.050	193.675	28.575	28.575	23.020	15	15	2.365
6535/6581	-	-	-	-	-	-	-	4.834
26749/26710	-	-	-	-	-	-	-	-
414292 B	-	-	-	-	-	-	-	0.526
50KW02A	-	-	-	-	-	-	-	2.260
57207/57297	-	-	-	-	-	-	-	0.240
687/672	-	-	-	-	-	-	-	3.400
TR0607J-1LFT	30.000	72	26	-	-	-	-	-

Bearing No.	Dimensions (mm)							Weight (Kg.)
	d	D	T	B	C	r	r2	
TR070902PZ	35.000	85	21	-	-	-	-	-
TR080702J/1D	38.500	72	18.5	-	-	-	-	-
TR131305R	65.000	130	52	-	49.000	-	-	-
TR191604	95.000	165	42.5	-	-	-	-	-



Metric Tapered Roller Bearings

Bearing No.	Dimensions (mm)							Weight (Kg.)
	d	D	T	B	C	r	r2	
30202	15	35	11.75	11	10.00	0.6	0.6	0.056
30302	15	42	14.25	13	11.00	1.0	1.0	0.090
30203	17	40	13.25	12	11.00	1.0	1.0	0.083
32203	17	40	17.25	16	14.00	1.0	1.0	0.102
30303	17	47	15.25	14	12.00	1.0	1.0	0.130
32303	17	47	20.25	19	16.00	1.0	1.0	0.180
32004	20	42	15.00	15	12.00	0.6	0.6	0.102
30204	20	47	15.25	14	12.00	1.0	1.0	0.133
32204	20	47	19.24	18	15.00	1.0	1.0	0.159
30304	20	52	16.25	15	13.00	1.5	1.5	0.170
32304	20	52	22.50	21	18.00	1.5	1.5	0.250
32005	25	47	15.00	15	12.00	0.6	0.6	0.110
33005	25	47	17.00	17	14.00	0.6	0.6	0.130
30205	25	52	16.25	15	13.00	1.0	1.0	0.157
32205	25	52	19.25	18	16.00	1.0	1.0	0.179
33205	25	52	22.00	22	18.00	1.0	1.0	0.217
30305	25	62	18.25	17	15.00	1.5	1.5	0.260
30305D	25	62	18.25	17	13.00	1.5	1.5	0.262
32305	25	62	25.25	24	20.00	1.5	1.5	0.380
320/28	28	52	16.00	16	12.00	1.0	1.0	0.150
32006	30	55	17.00	17	13.00	1.0	1.0	0.170
33006	30	55	20.00	20	16.00	1.0	1.0	0.193
30206	30	62	17.25	16	14.00	1.0	1.0	0.240

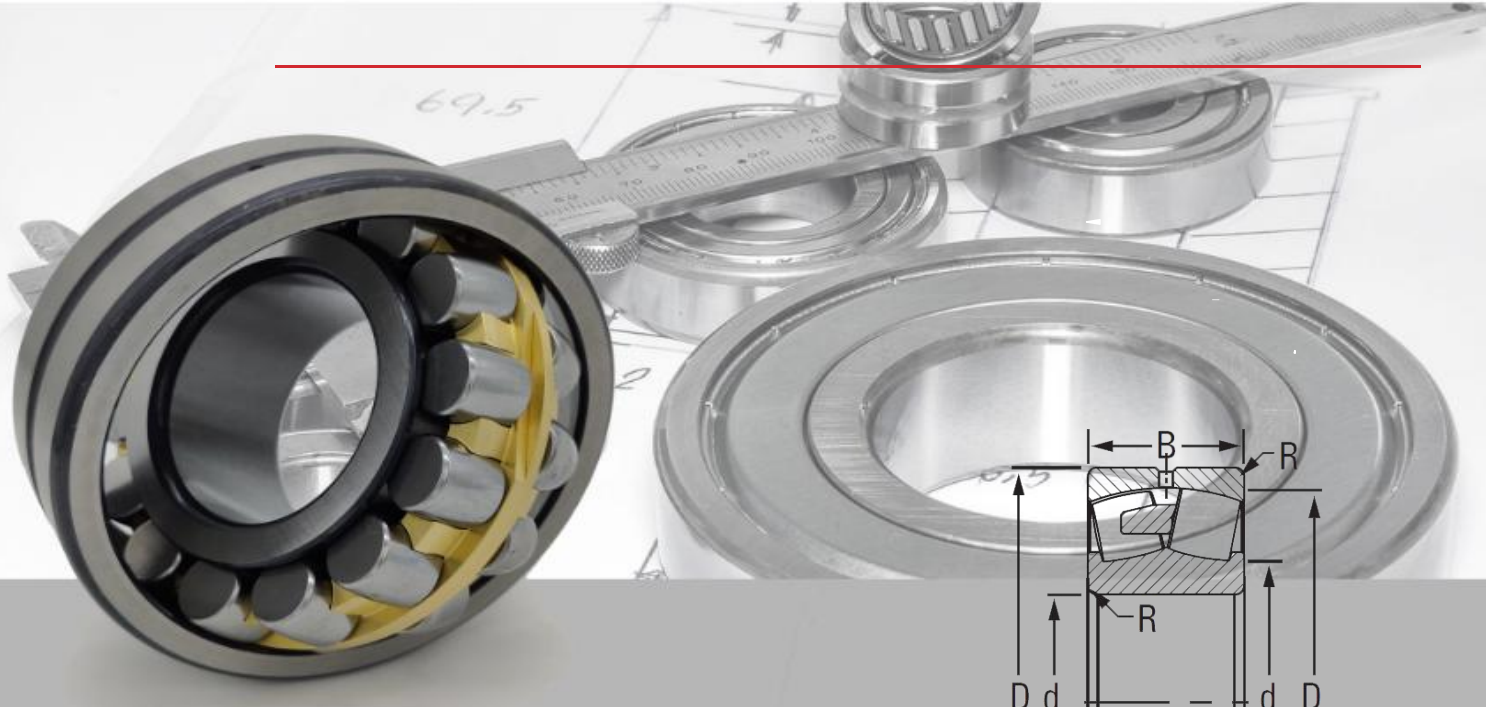
Bearing No.	Dimensions (mm)							Weight (Kg.)
	d	D	T	B	C	r	r2	
32206	30	62	21.25	20	17.00	1.0	1.0	0.280
33206	30	62	25.00	25	19.50	1.0	1.0	0.346
30306	30	72	20.75	19	16.00	15	15	0.380
30306D	30	72	20.75	19	14.00	15	15	0.392
32306	30	72	28.75	27	23.00	15	15	0.580
320/32	32	58	17.00	17	13.00	1.0	1.0	0.196
322/32	32	65	22.25	21	18.00	1.0	1.0	0.330
323/32	32	75	29.75	28	25.00	15	15	0.650
32007	35	62	18.00	18	14.00	1.0	1.0	0.225
33007	35	62	21.00	21	16.00	1.0	1.0	0.260
30207	35	72	18.25	17	15.00	15	15	0.341
32207	35	72	24.25	23	19.00	15	15	0.420
33207	35	72	28.00	28	22.00	15	15	0.533
30307	35	80	22.75	21	18.00	2.0	15	0.507
30307D	35	80	22.75	21	15.00	2.0	15	0.514
32307	35	80	32.75	31	25.00	15	15	0.730
32008	40	68	19.00	19	14.50	1.0	1.0	0.279
33008	40	68	22.00	22	18.00	1.0	1.0	0.312
33108	40	75	26.00	26	20.50	15	15	0.494
30208	40	80	19.75	18	16.00	15	15	0.420
32208	40	80	24.75	23	19.00	15	15	0.555
33208	40	80	32.00	32	25.00	15	15	0.728
30308	40	90	25.25	23	20.00	2.0	15	0.700
30308D	40	90	25.25	23	17.00	2.0	15	0.727
32308	40	90	35.25	33	27.00	15	15	1.020
32009	45	75	20.00	20	15.50	1.0	1.0	0.346
33009	45	75	24.00	24	19.00	1.0	1.0	0.398
33109	45	80	26.00	26	20.50	15	15	0.542
30209	45	85	20.75	19	16.00	15	15	0.499
32209	45	85	24.75	23	19.00	15	15	0.576
33209	45	85	32.00	32	25.00	15	15	0.789
30309	45	100	27.25	25	22.00	2.0	15	0.940
30309D	45	100	27.25	25	18.00	2.0	15	0.944
32309	45	100	28.25	36	30.00	15	15	1.470
32010	50	80	20.00	20	15.50	1.0	1.0	0.370
33010	50	80	24.00	24	19.00	1.0	1.0	0.433
33110	50	85	26.00	26	20.00	15	15	0.583
30210	50	90	21.75	20	17.00	15	15	0.566
32210	50	90	24.75	23	19.00	15	15	0.644
33210	50	90	32.00	32	24.50	15	15	0.852
30310	50	110	29.25	27	23.00	2.5	2.0	1.200
30310D	50	110	29.25	27	19.00	2.5	2.0	1.210
32310	50	110	42.25	40	33.00	2.0	2.0	1.870
32011	55	90	23.00	23	17.50	15	15	0.568

Bearing No.	Dimensions (mm)							Weight (Kg.)
	d	D	T	B	C	r	r2	
33011	55	90	27.00	27	21.00	15	1.0	0.643
33111	55	95	30.00	30	23.00	15	15	0.854
30211	55	100	22.75	21	18.00	2.0	15	0.731
32211	55	100	26.75	25	21.00	2.0	15	0.880
33211	55	100	35.00	35	27.00	2.0	15	1.150
30311	55	120	31.50	29	25.00	2.5	2.0	1.670
30311D	55	120	31.50	29	21.00	2.5	2.0	1.560
32311	55	120	45.50	43	35.00	2.0	2.0	2.290
32012	60	95	23.00	23	17.50	15	15	0.586
33012	60	95	27.00	27	21.00	15	15	0.684
33112	60	100	30.00	30	23.00	15	15	0.905
30212	60	110	23.75	22	19.00	2.0	15	0.860
32212	60	110	29.75	28	24.00	2.0	15	1.200
33212	60	110	38.00	38	29.00	2.0	15	1.511
30312	60	130	33.50	31	26.00	3.0	2.5	1.900
30312D	60	130	33.50	31	22.00	3.0	2.5	1.900
32312	60	130	48.50	46	37.00	2.5	2.5	2.750
32013	65	100	23.00	23	17.50	15	15	0.646
33013	65	100	27.00	27	21.00	15	15	0.732
33113	65	110	34.00	34	26.50	15	15	1.290
30213	65	120	24.75	23	20.00	2.0	15	1.170
32213	65	120	32.75	31	27.00	2.0	15	1.480
33213	65	120	41.00	41	32.00	2.0	15	1.976
30313	65	140	36.00	33	28.00	3.0	2.5	2.330
30313D	65	140	36.00	33	23.00	3.0	2.5	2.370
32313	65	140	51.00	48	39.00	2.5	2.5	3.340
32014	70	110	25.00	25	19.00	15	15	0.857
33014	70	110	31.00	31	25.50	15	15	1.072
33114	70	120	37.00	37	29.00	2.0	15	1.660
30214	70	125	26.25	24	21.00	2.0	15	1.300
32214	70	125	33.25	31	27.00	2.0	15	1.680
33214	70	125	41.00	41	32.00	2.0	15	2.100
30314	70	150	38.00	35	30.00	3.0	2.5	3.040
30314D	70	150	38.00	35	25.00	3.0	2.5	2.860
32314	70	150	54.00	51	42.00	2.5	2.5	4.090
32015	75	115	25.00	25	19.00	15	15	0.922
33015	75	115	31.00	31	25.50	15	15	1.110
33115	75	125	37.00	37	29.00	2.0	15	1.800
30215	75	130	27.25	25	22.00	2.0	15	1.340
32215	75	130	33.25	31	27.00	2.0	15	1.770
33215	75	130	41.00	41	31.00	2.0	15	2.270
30315	75	160	40.00	37	31.00	3.0	2.5	3.540
30315D	75	160	40.00	37	26.00	3.0	2.5	3.380
32315	75	160	58.00	55	45.00	2.5	2.5	4.970

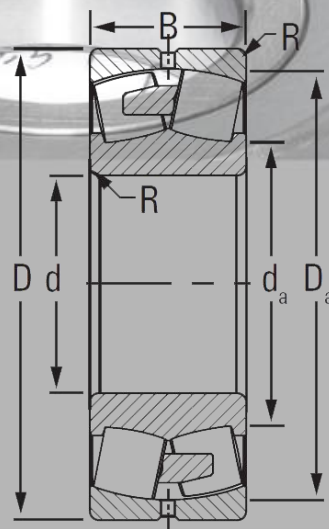
Bearing No.	Dimensions (mm)							Weight (Kg.)
	d	D	T	B	C	r	r2	
32016	80	125	29.00	29	22.00	15	15	1.280
33016	80	125	36.00	36	29.50	15	15	1.600
33116	80	130	37.00	37	29.00	2.0	15	1.850
30216	80	140	28.25	26	22.00	2.5	2.0	1.600
32216	80	140	35.25	33	28.00	2.5	2.0	2.000
33216	80	140	46.00	46	35.00	2.5	2.0	2.920
30316	80	170	42.50	39	33.00	3.0	2.5	4.400
30316 D	80	170	42.50	39	27.00	3.0	2.5	4.050
32316	80	170	61.50	58	48.00	2.5	2.5	5.900
32017	85	130	29.00	29	22.00	15	15	1.300
33017	85	130	36.00	36	29.50	15	15	1.700
33117	85	140	41.00	41	32.00	2.5	2.0	2.440
30217	85	150	30.50	28	24.00	2.5	2.0	2.100
32217	85	150	38.50	36	30.00	2.5	2.0	2.500
33217	85	150	49.00	49	37.00	2.5	2.0	3.580
30317	85	180	44.50	41	34.00	4.0	3.0	4.750
30317 D	85	180	44.50	41	28.00	4.0	3.0	4.690
32317	85	180	63.50	60	49.00	3.0	3.0	6.850
32018	90	140	32.00	32	24.00	2.0	15	1.760
33018	90	140	39.00	39	32.50	2.0	15	2.187
33118	90	150	45.00	45	35.00	2.5	2.0	3.180
30218	90	160	32.50	30	26.00	2.5	2.0	2.630
33218	90	160	41.00	55	42.00	2.5	2.0	4.760
32218	90	160	42.50	40	34.00	2.5	2.0	3.270
30318	90	190	46.50	43	36.00	4.0	3.0	6.030
30318 D	90	190	46.50	43	30.00	4.0	3.0	5.460
32318	90	190	67.50	64	53.00	3.0	3.0	8.230
32019	95	145	32.00	32	24.00	2.0	15	1.820
33019	95	145	39.00	39	32.50	2.0	15	2.270
33119	95	160	49.00	49	38.00	2.5	2.0	3.940
30219	95	170	34.50	32	27.00	3.0	2.5	3.170
32219	95	170	45.50	43	37.00	3.0	2.5	3.970
33219	95	170	46.00	58	44.00	3.0	2.5	5.660
30319	95	200	49.00	45	38.00	4.0	3.0	6.520
30319 D	95	200	49.50	45	32.00	4.0	3.0	6.460
32319	95	200	71.50	67	55.00	3.0	3.0	9.600
32020	100	150	32.00	32	24.00	2.0	15	1.930
33020	100	150	39.00	39	32.50	2.0	15	2.370
33120	100	165	52.00	52	40.00	2.5	2.0	4.360
30220	100	180	37.00	34	29.00	3.0	2.5	3.780
32220	100	180	49.00	46	39.00	3.0	2.5	4.990
33220	100	180	49.00	63	48.00	3.0	2.5	6.920
30320	100	215	51.50	47	39.00	4.0	3.0	7.900
30320 D	100	215	56.50	51	35.00	4.0	3.0	8.590

Bearing No.	Dimensions (mm)							Weight (Kg.)
	d	D	T	B	C	r	r2	
32320	100	215	77.50	73	60.00	3.0	3.0	12.000
32021	105	160	35.00	35	26.00	2.5	2.0	2.540
33021	105	160	43.00	43	34.00	2.5	2.0	3.000
33121	105	175	56.00	56	44.00	2.5	2.0	5.330
30221	105	190	39.00	36	30.00	3.0	2.5	4.510
32221	105	190	53.00	50	43.00	3.0	2.5	5.870
30321	105	225	53.50	49	41.00	4.0	3.0	9.150
30321 D	105	225	58.00	53	36.00	4.0	3.0	9.580
32321	105	225	81.50	77	63.00	4.0	3.0	16.000
32022	110	170	38.00	38	29.00	2.5	2.0	3.020
33022	110	170	47.00	47	37.00	2.5	2.0	3.800
33122	110	180	56.00	56	43.00	2.5	2.0	5.520
30222	110	200	41.00	38	32.00	3.0	2.5	5.320
32222	110	200	56.00	53	46.00	3.0	2.5	6.900
30322	110	240	54.50	50	42.00	4.0	3.0	11.000
30322 D	110	240	54.50	50	36.00	4.0	3.0	10.200
32322	110	240	84.50	80	65.00	4.0	3.0	19.000
32024	120	180	38.40	36	31.00	2.5	2.0	3.400
33024	120	180	48.00	48	38.00	2.5	2.0	4.100
33124	120	200	62.00	62	48.00	2.5	2.0	7.750
30224	120	215	43.50	40	34.00	3.0	2.5	6.010
32224	120	215	61.50	58	50.00	3.0	2.5	8.750
30324	120	260	59.50	55	46.00	4.0	3.0	14.000
30324 D	120	260	59.50	55	38.00	4.0	3.0	13.000
32324	120	260	90.50	86	69.00	4.0	3.0	24.000
32026	130	200	45.00	45	34.00	2.5	2.0	5.040
33026	130	200	55.00	55	43.00	2.5	2.0	6.190
30226	130	230	43.75	40	34.00	4.0	3.0	7.540
32226	130	230	67.75	64	54.00	4.0	3.0	11.200
30326	130	280	63.75	58	49.00	5.0	4.0	16.700
30326 D	130	280	72.00	66	44.00	5.0	4.0	18.400
32326	130	280	98.75	93	75.00	5.0	4.0	26.500
32028	140	210	45.50	42	36.00	2.5	2.0	4.940
33028	140	210	56.00	56	44.00	2.5	2.0	6.610
30228	140	250	45.75	42	36.00	4.0	3.0	8.650
32228	140	250	71.75	68	58.00	4.0	3.0	14.100
30328	140	300	67.75	62	53.00	5.0	4.0	20.400
30328 D	140	300	77.00	70	47.00	5.0	4.0	22.800
32328	140	300	107.75	102	85.00	5.0	4.0	35.100
32030	150	225	48.00	48	36.00	3.0	2.5	6.560
33030	150	225	59.00	59	46.00	3.0	2.5	8.090
32230	150	270	49.00	73	38.00	4.0	3.0	16.800
30230	150	270	49.00	45	38.00	4.0	3.0	10.800
30330 D	150	320	72.00	65	55.00	5.0	4.0	28.000

Bearing No.	Dimensions (mm)							Weight (Kg.)
	d	D	T	B	C	r	r2	
32330	150	320	115.00	108	90.00	5.0	4.0	39.300
30330	150	320	115.00	65	90.00	5.0	4.0	24.700
32032	160	240	51.00	51	38.00	3.0	2.5	7.750
30232	160	290	52.00	48	40.00	4.0	3.0	13.300
32232	160	290	84.00	80	67.00	4.0	3.0	21.100
30332	160	340	75.00	68	58.00	5.0	4.0	31.800
32332	160	340	121.00	114	95.00	5.0	4.0	47.900
32034	170	260	57.00	57	43.00	3.0	2.5	10.500
30234	170	310	57.00	52	43.00	5.0	4.0	16.600
32234	170	310	91.00	86	71.00	5.0	4.0	27.000
30334	170	360	80.00	72	62.00	5.0	4.0	37.500
32334	170	360	127.00	120	100.00	5.0	4.0	56.900
32036	180	280	64.00	64	48.00	3.0	2.5	14.700
30236	180	320	57.00	52	43.00	5.0	4.0	17.300
32236	180	320	91.00	86	71.00	5.0	4.0	28.200
32336	180	380	134.00	126	106.00	5.0	4.0	67.000
32038	190	290	64.50	64	52.00	3.0	2.5	15.400
30238	190	340	60.00	55	46.00	3.0	2.5	20.800
32238	190	340	97.00	92	75.00	5.0	4.0	35.700
32338	190	400	140.00	132	109.00	6.0	5.0	76.600
32040	200	310	70.00	70	53.00	3.0	2.5	19.900
30240	200	360	64.00	58	48.00	5.0	4.0	25.000
32240	200	360	104.00	98	82.00	5.0	4.0	45.000
32340	200	420	146.00	138	115.00	6.0	5.0	86.000
32244	220	400	115.00	108	90.00	5.0	4.0	48.100



Spherical Roller Bearings



Bearing No.		Dimensions (mm)				Weight (Kg.)
Cylindrical bore	Tapered bore	d	D	B	r	
21304 CW33C3	21304 KCW33C3	20	52	15	11	0.160
22205 CW33C3	22205 KCW33C3	25	52	18	1.0	0.175
21305 CW33C3	21305 KCW33C3	25	62	17	11	0.250
22206 CW33C3	22206 KCW33C3	30	62	20	1.0	0.280
21306 CW33C3	21306 KCW33C3	30	72	19	11	0.380
22207 CW33C3	22207 KCW33C3	35	72	23	11	0.450
21307 CW33C3	21307 KCW33C3	35	80	21	15	0.510
22208 CW33C3	22208 KCW33C3	40	80	23	11	0.550
21308 CW33C3	21308 KCW33C3	40	90	23	15	0.710
22308 CW33C3	22308 KCW33C3	40	90	33	15	1.000
22209 CW33C3	22209 KCW33C3	45	85	23	11	0.590
21309 CW33C3	21309 KCW33C3	45	100	25	15	0.950
22309 CW33C3	22309 KCW33C3	45	100	36	15	1.350
22210 CW33C3	22210 KCW33C3	50	90	23	11	0.640
21310 CW33C3	21310 KCW33C3	50	110	27	2.0	1.200
22310 CW33C3	22310 KCW33C3	50	110	40	2.0	1.850
22211 CW33C3	22211 KCW33C3	55	100	25	15	0.870
21311 CW33C3	21311 KCW33C3	55	120	29	2.0	1.600
22311 CW33C3	22311 KCW33C3	55	120	43	2.0	2.350
22212 CW33C3	22212 KCW33C3	60	110	28	15	1.200
21312 CW33C3	21312 KCW33C3	60	130	31	2.1	1.950
22312 CW33C3	22312 KCW33C3	60	130	46	2.1	2.950
22213 CW33C3	22213 KCW33C3	65	120	31	15	1.550

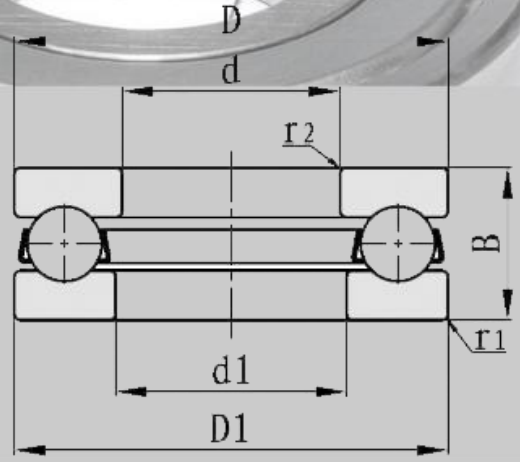
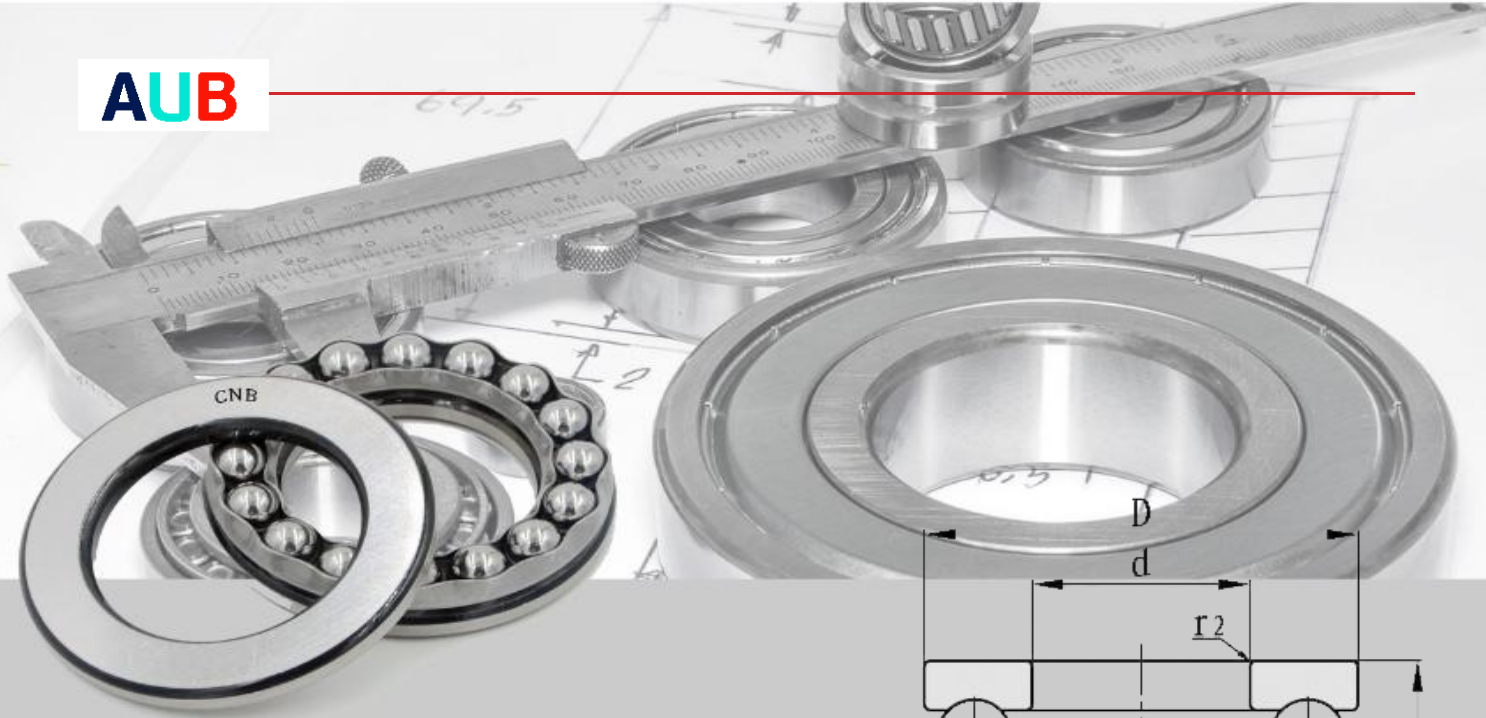
Bearing No.		Dimensions (mm)				Weight (Kg.)
Cylindrical bore	Tapered bore	d	D	B	r	
21313CW33C3	21313KCW33C3	65	140	33	2.1	2.450
22313CW33C3	22313KCW33C3	65	140	48	2.1	3.550
22214CW33C3	22214KCW33C3	70	130	31	15	1.640
21314CW33C3	21314KCW33C3	70	150	35	2.1	3.000
22314CW33C3	22314KCW33C3	70	150	51	2.1	4.190
22215CW33C3	22215KCW33C3	75	140	31	15	1.720
21315CW33C3	21315KCW33C3	75	160	37	2.1	3.550
22315CW33C3	22315KCW33C3	75	160	55	2.1	5.250
22216CAW33C3	22216KCAW33C3	80	150	33	2.0	2.120
21316CAW33C3	21316KCAW33C3	80	170	39	2.1	4.200
22316CAW33C3	22316KCAW33C3	80	170	58	2.1	6.200
22217CAW33C3	22217KCAW33C3	85	160	36	2.0	2.680
21317CAW33C3	21317KCAW33C3	85	180	41	3.0	5.000
22317CAW33C3	22317KCAW33C3	85	180	60	3.0	7.250
23218CAW33C3	23218KCAW33C3	90	160	52.4	2.0	4.460
22218CAW33C3	22218KCAW33C3	90	170	40	2.0	3.480
21318CAW33C3	21318KCAW33C3	90	190	43	3.0	5.800
22318CAW33C3	22318KCAW33C3	90	190	64	3.0	8.600
22219CAW33C3	22219KCAW33C3	95	180	43	2.1	4.210
21319CAW33C3	21319KCAW33C3	95	200	45	3.0	7.150
22319CAW33C3	22319KCAW33C3	95	200	67	3.0	10.000
23120CAW33C3	23120KCAW33C3	100	165	52	2.0	4.400
23220CAW33C3	23220KCAW33C3	100	180	60.3	2.1	6.900
22220CAW33C3	22220KCAW33C3	100	200	46	2.1	5.060
21320CAW33C3	21320KCAW33C3	100	215	47	3.0	8.800
22320CAW33C3	22320KCAW33C3	100	215	73	3.0	13.000
23022CAW33C3	23022KCAW33C3	110	170	45	2.0	3.710
23122CAW33C3	23122KCAW33C3	110	180	56	2.0	5.800
24122CAW33C3	24122KCAW33C3	110	180	69	2.0	6.520
23222CAW33C3	23222KCAW33C3	110	200	69.8	2.1	9.280
22222CAW33C3	22222KCAW33C3	110	215	53	2.1	7.250
21322CAW33C3	21322KCAW33C3	110	240	50	3.0	12.000
22322CAW33C3	22322KCAW33C3	110	240	80	3.0	17.500
23024CAW33C3	23024KCAW33C3	120	180	46	2.0	4.300
24024CAW33C3	24024KCAW33C3	120	180	60	2.0	5.480
23124CAW33C3	23124KCAW33C3	120	200	62	2.0	8.100
24124CAW33C3	24124KCAW33C3	120	200	80	2.0	10.100
23224CAW33C3	23224KCAW33C3	120	215	76	3.0	11.600
22224CAW33C3	22224KCAW33C3	120	230	58	2.1	9.100
22324CAW33C3	22324KCAW33C3	120	260	86	3.0	22.000
23026CAW33C3	23026KCAW33C3	130	200	52	2.0	6.200
24026CAW33C3	24026KCAW33C3	130	200	69	2.0	8.080
23126CAW33C3	23126KCAW33C3	130	210	64	2.0	8.900
24126CAW33C3	24126KCAW33C3	130	210	80	2.0	10.200

Bearing No.		Dimensions (mm)				Weight (Kg.)
Cylindrical bore	Tapered bore	d	D	B	r	
23226 CAW33C3	23226 KCAW33C3	130	230	80	3.0	14.000
22226 CAW33C3	22226 KCAW33C3	130	250	64	3.0	11.400
22326 CAW33C3	22326 KCAW33C3	130	280	93	4.0	26.900
23028 CAW33C3	23028 KCAW33C3	140	210	53	2.0	6.700
24028 CAW33C3	24028 KCAW33C3	140	210	69	2.0	8.570
23128 CAW33C3	23128 KCAW33C3	140	225	68	2.1	11.000
24128 CAW33C3	24128 KCAW33C3	140	225	85	2.1	12.400
23228 CAW33C3	23228 KCAW33C3	140	250	88	3.0	18.200
22228 CAW33C3	22228 KCAW33C3	140	270	68	3.0	14.700
22328 CAW33C3	22328 KCAW33C3	140	300	102	4.0	34.500
23030 CAW33C3	23030 KCAW33C3	150	225	56	2.1	8.100
24030 CAW33C3	24030 KCAW33C3	150	225	75	2.1	10.700
23130 CAW33C3	23130 KCAW33C3	150	250	80	2.1	16.500
24130 CAW33C3	24130 KCAW33C3	150	250	100	2.1	18.700
23230 CAW33C3	23230 KCAW33C3	150	270	96	3.0	23.600
22230 CAW33C3	22230 KCAW33C3	150	290	73	3.0	18.100
22330 CAW33C3	22330 KCAW33C3	150	320	108	4.0	40.800
23032 CAW33C3	23032 KCAW33C3	160	240	60	2.1	9.950
24032 CAW33C3	24032 KCAW33C3	160	240	80	2.1	13.000
23132 CAW33C3	23132 KCAW33C3	160	270	86	2.1	20.500
24132 CAW33C3	24132 KCAW33C3	160	270	109	2.1	24.300
23232 CAW33C3	23232 KCAW33C3	160	290	104	4.0	29.800
22232 CAW33C3	22232 KCAW33C3	160	310	80	3.0	22.900
22332 CAW33C3	22332 KCAW33C3	160	340	114	4.0	48.300
23034 MBW33C3	23034 KMBW33C3	170	260	67	2.1	13.500
24034 MBW33C3	24034 KMBW33C3	170	260	90	2.1	17.700
23134 MBW33C3	23134 KMBW33C3	170	280	88	2.1	22.000
24134 MBW33C3	24134 KMBW33C3	170	280	109	2.1	25.600
23234 MBW33C3	23234 KMBW33C3	170	310	110	4.0	35.700
22234 MBW33C3	22234 KMBW33C3	170	320	86	4.0	28.400
22334 MBW33C3	22334 KMBW33C3	170	360	120	4.0	56.700
23936 MBW33C3	23936 KMBW33C3	180	250	52	2.0	8.210
23036 MBW33C3	23036 KMBW33C3	180	280	74	2.1	17.500
24036 MBW33C3	24036 KMBW33C3	180	280	100	2.1	23.300
23136 MBW33C3	23136 KMBW33C3	180	300	96	3.0	28.500
24136 MBW33C3	24136 KMBW33C3	180	300	118	3.0	32.100
23236 MBW33C3	23236 KMBW33C3	180	320	112	4.0	38.100
22236 MBW33C3	22236 KMBW33C3	180	330	86	4.0	29.800
22336 MBW33C3	22336 KMBW33C3	180	380	126	4.0	67.000
23938 MBW33C3	23938 KMBW33C3	190	260	52	2.0	8.600
23038 MBW33C3	23038 KMBW33C3	190	290	75	2.1	18.500
24038 MBW33C3	24038 KMBW33C3	190	290	100	2.1	24.300
23138 MBW33C3	23138 KMBW33C3	190	320	104	3.0	35.000
24138 MBW33C3	24138 KMBW33C3	190	320	128	3.0	40.100

Bearing No.		Dimensions (mm)				Weight (Kg.)
Cylindrical bore	Tapered bore	d	D	B	r	
22238 MBW33C3	22238 KMBW33C3	190	340	92	4.0	36.600
23238 MBW33C3	23238 KMBW33C3	190	340	120	4.0	46.500
22338 MBW33C3	22338 KMBW33C3	190	400	132	5.0	77.400
23940 MBW33C3	23940 KMBW33C3	200	280	60	2.1	12.100
23040 MBW33C3	23040 KMBW33C3	200	310	82	2.1	24.000
24040 MBW33C3	24040 KMBW33C3	200	310	109	2.1	31.000
23140 MBW33C3	23140 KMBW33C3	200	340	112	3.0	43.500
24140 MBW33C3	24140 KMBW33C3	200	340	140	3.0	50.100
22240 MBW33C3	22240 KMBW33C3	200	360	98	4.0	44.000
23240 MBW33C3	23240 KMBW33C3	200	360	128	4.0	54.700
22340 MBW33C3	22340 KMBW33C3	200	420	138	5.0	92.000
23944 MBW33C3	23944 KMBW33C3	220	300	60	2.1	13.100
23044 MBW33C3	23044 KMBW33C3	220	340	90	3.0	31.500
24044 MBW33C3	24044 KMBW33C3	220	340	118	3.0	40.200
23144 MBW33C3	23144 KMBW33C3	220	370	120	4.0	54.500
24144 MBW33C3	24144 KMBW33C3	220	370	150	4.0	62.500
22244 MBW33C3	22244 KMBW33C3	220	400	108	4.0	63.000
23244 MBW33C3	23244 KMBW33C3	220	400	144	4.0	79.100
22344 MBW33C3	22344 KMBW33C3	220	460	145	5.0	120.000
23948 MBW33C3	23948 KMBW33C3	240	320	60	2.1	14.000
23048 MBW33C3	23048 KMBW33C3	240	360	92	3.0	34.500
24048 MBW33C3	24048 KMBW33C3	240	360	118	3.0	43.000
23148 MBW33C3	23148 KMBW33C3	240	400	128	4.0	67.000
24148 MBW33C3	24148 KMBW33C3	240	400	160	4.0	78.800
22248 MBW33C3	22248 KMBW33C3	240	440	120	4.0	85.000
23248 MBW33C3	23248 KMBW33C3	240	440	160	4.0	106.000
22348 MBW33C3	22348 KMBW33C3	240	500	155	5.0	155.000
23952 MBW33C3	23952 KMBW33C3	260	360	75	2.1	24.000
23052 MBW33C3	23052 KMBW33C3	260	400	104	4.0	50.000
24052 MBW33C3	24052 KMBW33C3	260	400	140	4.0	65.200
23152 MBW33C3	23152 KMBW33C3	260	440	144	4.0	93.000
24152 MBW33C3	24152 KMBW33C3	260	440	180	4.0	108.000
22252 MBW33C3	22252 KMBW33C3	260	480	130	5.0	110.000
23252 MBW33C3	23252 KMBW33C3	260	480	174	5.0	137.000
22352 MBW33C3	22352 KMBW33C3	260	540	165	6.0	190.000
23956 MBW33C3	23956 KMBW33C3	280	380	75	2.1	26.400
23056 MBW33C3	23056 KMBW33C3	280	420	106	4.0	54.000
24056 MBW33C3	24056 KMBW33C3	280	420	140	4.0	69.000
23156 MBW33C3	23156 KMBW33C3	280	460	146	5.0	99.500
24156 MBW33C3	24156 KMBW33C3	280	460	180	5.0	114.000
22256 MBW33C3	22256 KMBW33C3	280	500	130	5.0	114.000
23256 MBW33C3	23256 KMBW33C3	280	500	176	5.0	146.000
22356 MBW33C3	22356 KMBW33C3	280	580	175	6.0	235.000
23960 MBW33C3	23960 KMBW33C3	300	420	90	3.0	40.000

Bearing No.		Dimensions (mm)				Weight (Kg.)
Cylindrical bore	Tapered bore	d	D	B	r	
23060 MBW33C3	23060 KMBW33C3	300	460	118	4.0	74.500
24060 MBW33C3	24060 KMBW33C3	300	460	160	4.0	98.000
23160 MBW33C3	23160 KMBW33C3	300	500	160	5.0	131.000
24160 MBW33C3	24160 KMBW33C3	300	500	200	5.0	152.000
22260 MBW33C3	22260 KMBW33C3	300	540	140	5.0	145.000
23260 MBW33C3	23260 KMBW33C3	300	540	192	5.0	189.000
23964 MBW33C3	23964 KMBW33C3	320	440	90	3.0	43.000
23064 MBW33C3	23064 KMBW33C3	320	480	121	4.0	80.000
24064 MBW33C3	24064 KMBW33C3	320	480	160	4.0	103.000
23164 MBW33C3	23164 KMBW33C3	320	540	176	5.0	170.000
24164 MBW33C3	24164 KMBW33C3	320	540	218	5.0	196.000
22264 MBW33C3	22264 KMBW33C3	320	580	150	5.0	175.000
23264 MBW33C3	23264 KMBW33C3	320	580	208	5.0	240.000
23968 MBW33C3	23968 KMBW33C3	340	460	90	3.0	44.000
23068 MBW33C3	23068 KMBW33C3	340	520	133	5.0	107.000
24068 MBW33C3	24068 KMBW33C3	340	520	180	5.0	140.000
23168 MBW33C3	23168 KMBW33C3	340	580	190	5.0	215.000
24168 MBW33C3	24168 KMBW33C3	340	580	243	5.0	225.000
23268 MBW33C3	23268 KMBW33C3	340	620	224	6.0	300.000
23972 MBW33C3	23972 KMBW33C3	360	480	90	3.0	47.200
23072 MBW33C3	23072 KMBW33C3	360	540	134	5.0	113.000
24072 MBW33C3	24072 KMBW33C3	360	540	180	5.0	147.000
23172 MBW33C3	23172 KMBW33C3	360	600	192	5.0	227.000
24172 MBW33C3	24172 KMBW33C3	360	600	243	5.0	265.000
23272 MBW33C3	23272 KMBW33C3	360	650	232	6.0	333.000
23976 MBW33C3	23976 KMBW33C3	380	520	106	4.0	69.900
23076 MBW33C3	23076 KMBW33C3	380	560	135	5.0	120.000
24076 MBW33C3	24076 KMBW33C3	380	560	180	5.0	153.000
23176 MBW33C3	23176 KMBW33C3	380	620	194	5.0	239.000
24176 MBW33C3	24176 KMBW33C3	380	620	243	5.0	292.000
23276 MBW33C3	23276 KMBW33C3	380	680	240	6.0	371.000
23980 MBW33C3	23980 KMBW33C3	400	540	106	4.0	73.000
23080 MBW33C3	23080 KMBW33C3	400	600	148	5.0	153.000
24080 MBW33C3	24080 KMBW33C3	400	600	200	5.0	202.000
23180 MBW33C3	23180 KMBW33C3	400	650	200	6.0	269.000
24180 MBW33C3	24180 KMBW33C3	400	650	250	6.0	329.000
23280 MBW33C3	23280 KMBW33C3	400	720	256	6.0	457.000
23984 MBW33C3	23984 KMBW33C3	420	560	106	4.0	76.200
23084 MBW33C3	23084 KMBW33C3	420	620	150	5.0	162.000
24084 MBW33C3	24084 KMBW33C3	420	620	200	5.0	210.000
23184 MBW33C3	23184 KMBW33C3	420	700	224	6.0	361.000
24184 MBW33C3	24184 KMBW33C3	420	700	280	6.0	440.000
23284 MBW33C3	23284 KMBW33C3	420	760	272	7.5	530.000
23988 MBW33C3	23988 KMBW33C3	440	600	118	4.0	101.000

Bearing No.		Dimensions (mm)				Weight (Kg.)
Cylindrical bore	Tapered bore	d	D	B	r	
23088 MBW33C3	23088 KMBW33C3	440	650	157	6.0	186.000
24088 MBW33C3	24088 KMBW33C3	440	650	212	6.0	245.000
23188 MBW33C3	23188 KMBW33C3	440	720	226	6.0	376.000
24188 MBW33C3	24188 KMBW33C3	440	720	280	6.0	456.000
23288 MBW33C3	23288 KMBW33C3	440	790	280	7.5	597.000
23992 MBW33C3	23992 KMBW33C3	460	620	118	4.0	107.000
23092 MBW33C3	23092 KMBW33C3	460	680	163	6.0	212.000
24092 MBW33C3	24092 KMBW33C3	460	680	218	6.0	276.000
23192 MBW33C3	23192 KMBW33C3	460	760	240	7.5	447.000
24192 MBW33C3	24192 KMBW33C3	460	760	300	7.5	550.000
23292 MBW33C3	23292 KMBW33C3	460	830	296	7.5	704.000
23996 MBW33C3	23996 KMBW33C3	480	650	128	5.0	123.000
23096 MBW33C3	23096 KMBW33C3	480	700	165	6.0	222.000
24096 MBW33C3	24096 KMBW33C3	480	700	218	6.0	285.000
23196 MBW33C3	23196 KMBW33C3	480	790	248	7.5	500.000
24196 MBW33C3	24196 KMBW33C3	480	790	308	7.5	608.000
23296 MBW33C3	23296 KMBW33C3	480	870	310	7.5	814.000
239/500 MBW33C3	239/500 KMBW33C3	500	670	128	5.0	131.000
230/500 MBW33C3	230/500 KMBW33C3	500	720	167	6.0	232.000
240/500 MBW33C3	240/500 KMBW33C3	500	720	218	6.0	295.000
231/500 MBW33C3	231/500 KMBW33C3	500	830	264	7.5	591.000
241/500 MBW33C3	241/500 KMBW33C3	500	830	325	7.5	716.000
232/500 MBW33C3	232/500 KMBW33C3	500	920	336	7.5	976.000

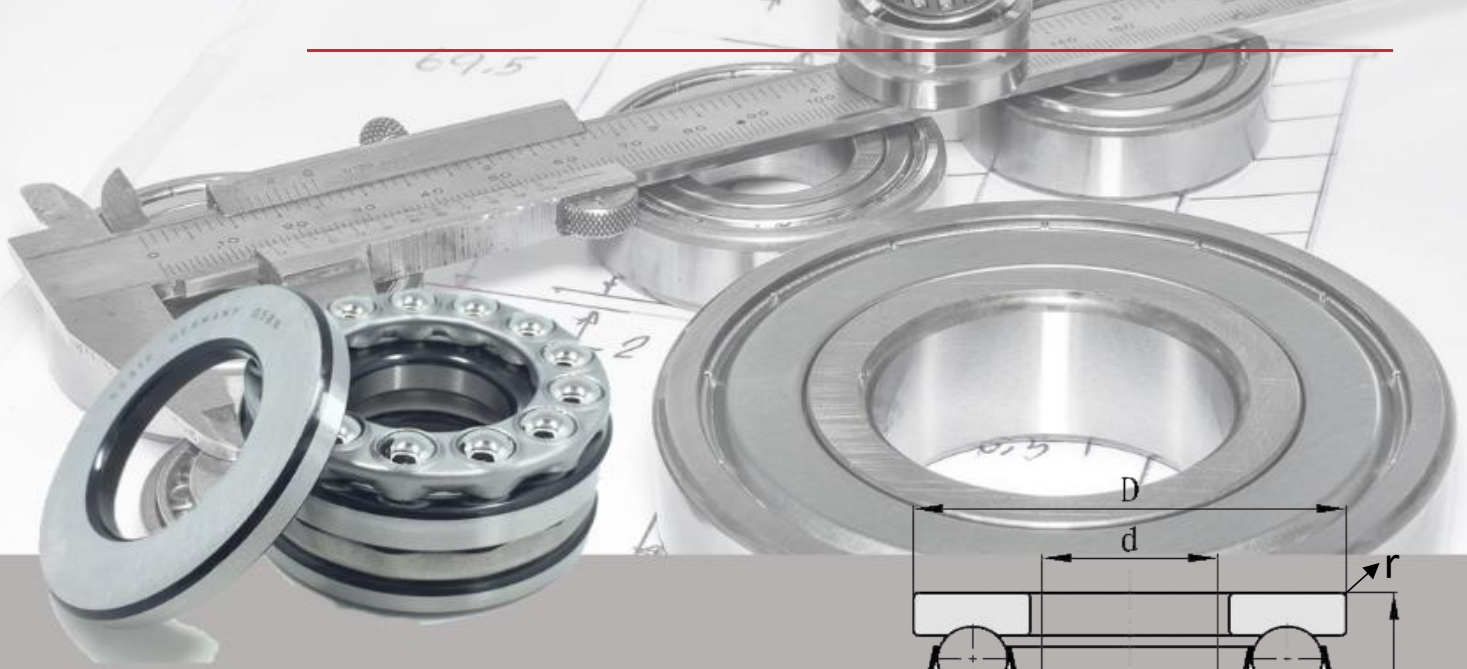


Thrust Roller Bearing

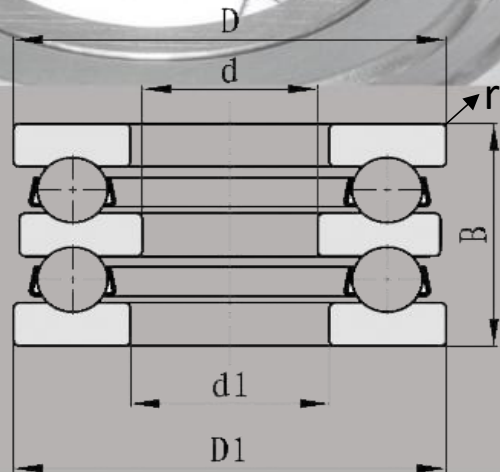
Bearing No.	Dimensions (mm)				Weight (Kg.)
	d	D	B	r	
51220	100	150	38	11	2.2
51320	100	170	55	15	4.95
51420	100	210	85	3.0	15
51122	110	145	25	1.0	1.05
51222	110	160	38	11	2.4
51322	110	190	63	2.0	7.85
51422	110	230	95	3.0	19.8
51124	120	155	30	1.0	1.15
51224	120	170	39	11	2.65
51324	120	210	70	2.1	11
51424	120	250	102	4.0	25
51126	130	170	31	1.0	1.85
51226	130	190	45	15	4
51326	130	225	75	2.1	13
51426	130	270	110	4.0	31.4
51128	140	180	31	1.0	2.05
51228	140	200	46	15	4.35
51328	140	240	80	2.1	15.5
51428	140	280	112	4.0	33.9
51130	150	190	31	1.0	2.2
51230	150	215	50	15	6.1
51330	150	250	80	2.1	16.5
51430	150	300	120	4.0	41.6

Bearing No.	Dimensions (mm)				Weight (Kg.)
	d	D	B	r	
51132	160	200	31	1.0	2.35
51232	160	225	51	15	6.55
51208	40	68	19	1.0	0.28
51308	40	78	26	1.0	0.53
51408	40	90	36	11	11
51109	45	65	14	0.6	0.14
51209	45	73	20	1.0	0.3
51309	45	85	28	11	0.66
51409	45	100	39	11	1.4
51110	50	70	14	0.6	0.16
51210	50	78	22	1.0	0.37
51310	50	95	31	11	0.94
51410	50	110	43	15	2
51111	55	78	16	0.6	0.23
51211	55	90	25	1.0	0.59
51311	55	105	35	11	1.3
51411	55	120	48	15	2.55
51112	60	85	17	1.0	0.2
51212	60	95	26	1.0	0.65
51312	60	110	35	11	1.35
51412	60	130	51	15	3.1
51113	65	90	18	1.0	0.33
51213	65	100	27	1.0	0.78
51313	65	115	36	11	1.5
51413	65	140	56	2.0	4
51114	70	95	18	1.0	0.35
51214	70	105	27	1.0	0.79
51314	70	125	40	11	2
51414	70	150	60	2.0	5
51115	75	100	19	1.0	0.4
51215	75	110	27	1.0	0.83
51315	75	135	44	15	2.6
51415	75	160	65	2.0	6.75
51116	80	105	19	1.0	0.42
51216	80	115	28	11	0.91
51316	80	140	44	15	2.7
51416	80	170	68	2.1	7.95
51117	85	110	19	1.0	0.44
51217	85	125	31	11	1.2
51317	85	150	49	15	3.55
51417	85	180	72	2.1	9.45
51118	90	120	22	1.0	0.67
51218	90	135	35	11	1.7
51318	90	155	50	15	3.8

Bearing No.	Dimensions (mm)				Weight (Kg.)
	d	D	B	r	
51418	90	190	77	21	11
51120	100	135	25	1.0	0.97
51332	160	270	87	3.0	21
51432	160	320	130	5.0	51.2
51134	170	215	34	11	3.3
51234	170	240	55	15	8.12
51334	170	280	87	3.0	22
51434	170	340	135	5.0	60



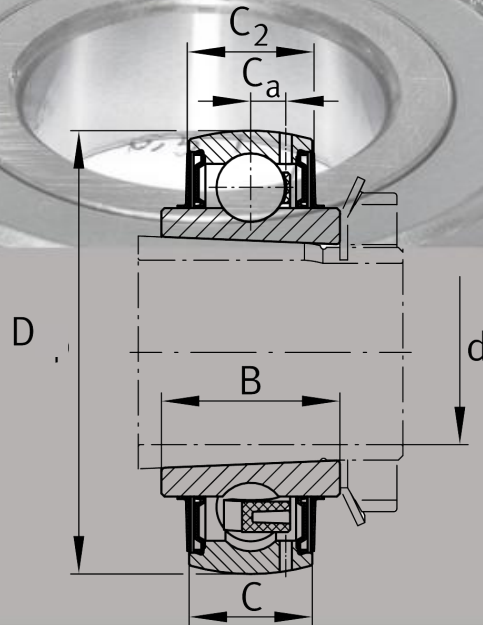
Thrust Roller Bearings



Bearing No.	Dimensions (mm)				Weight (Kg.)
	d	D	B	r	
52204	15	40	26	0.6	0.15
54204	15	40	27.4	0.3	0.15
42405	15	60	45	1.0	0.63
54405	15	60	49.8	6.0	0.63
52205	20	47	28	0.6	0.23
54205	20	47	31.4	0.3	0.23
52305	20	52	34	1.0	0.33
54305	20	52	37.6	0.3	0.33
52406	20	70	52	1.0	1
54406	20	70	56.2	0.6	1
52206	25	52	29	0.6	0.27
54206	25	52	32.6	0.3	0.27
52306	25	60	38	1.0	0.49
54306	25	60	41.2	0.3	0.49
52407	25	80	59	1.1	1.44
54407	25	80	63	0.6	1.44
52207	30	62	34	1.0	0.42
54207	30	62	37.8	0.3	0.42
52208	30	68	36	1.0	0.54
54208	30	68	38.6	0.6	0.54
52307	30	68	44	1.0	0.71

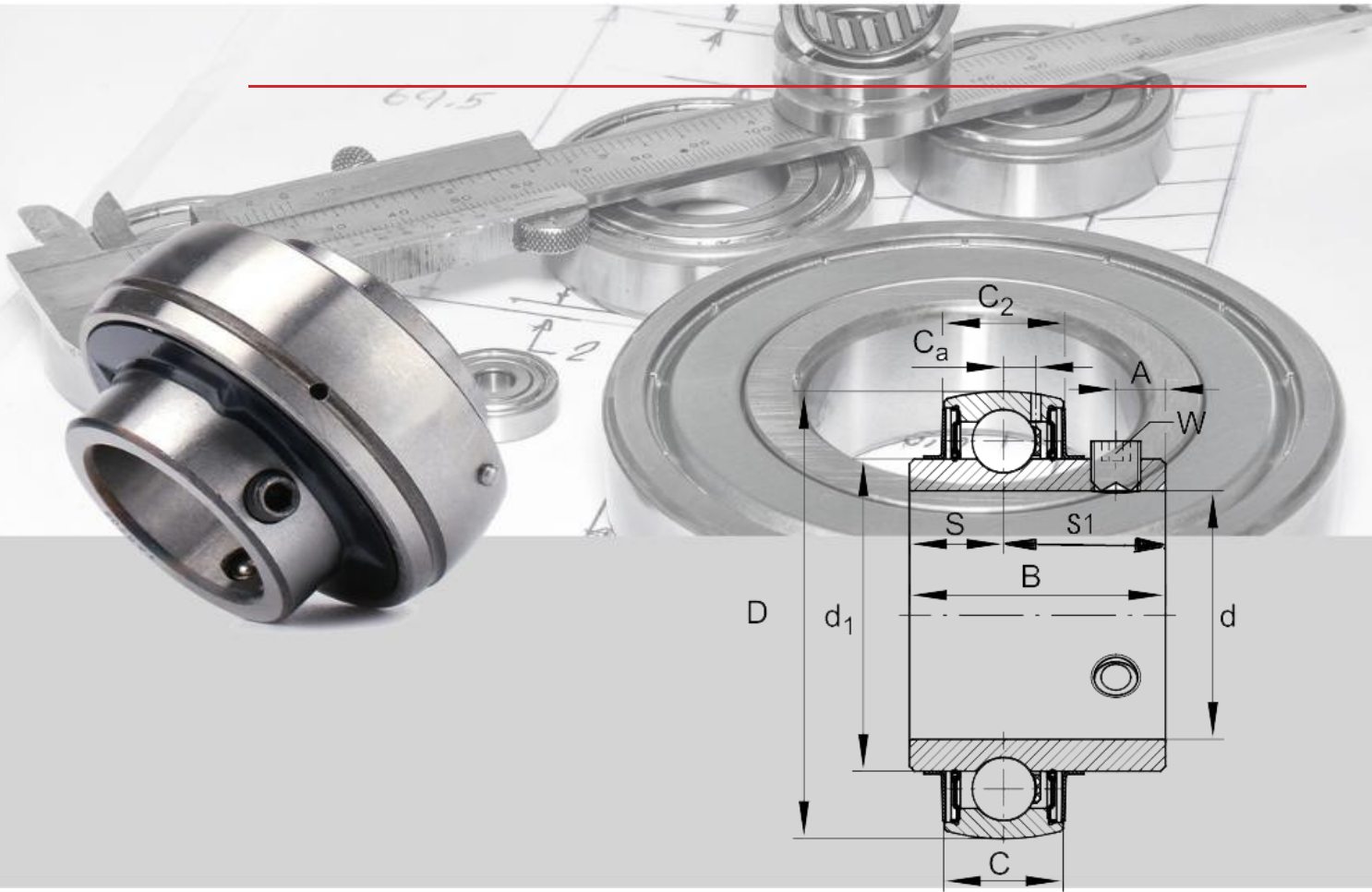
Bearing No.	Dimensions (mm)				Weight (Kg.)
	d	D	B	r	
54307	30	68	47.2	0.3	0.71
52308	30	78	49	1.0	1.06
54308	30	78	54	0.6	1.06
52408	30	90	65	11	2.03
54408	30	90	69.4	0.6	2.03
52209	35	73	37	1.0	0.62
54209	35	73	39.6	0.6	0.62
52309	35	85	52	1.0	1.29
54309	35	85	56.2	0.6	1.29
52409	35	100	72	11	2.91
54409	35	100	78.8	0.6	2.91
52210	40	78	39	1.0	0.71
54210	40	78	42	0.6	0.71
52310	40	95	58	11	1.86
54310	40	95	64.6	0.6	1.86
52410	40	110	78	15	3.56
54410	40	110	83.2	0.6	3.56

UK Series Ball Bearing Inserts



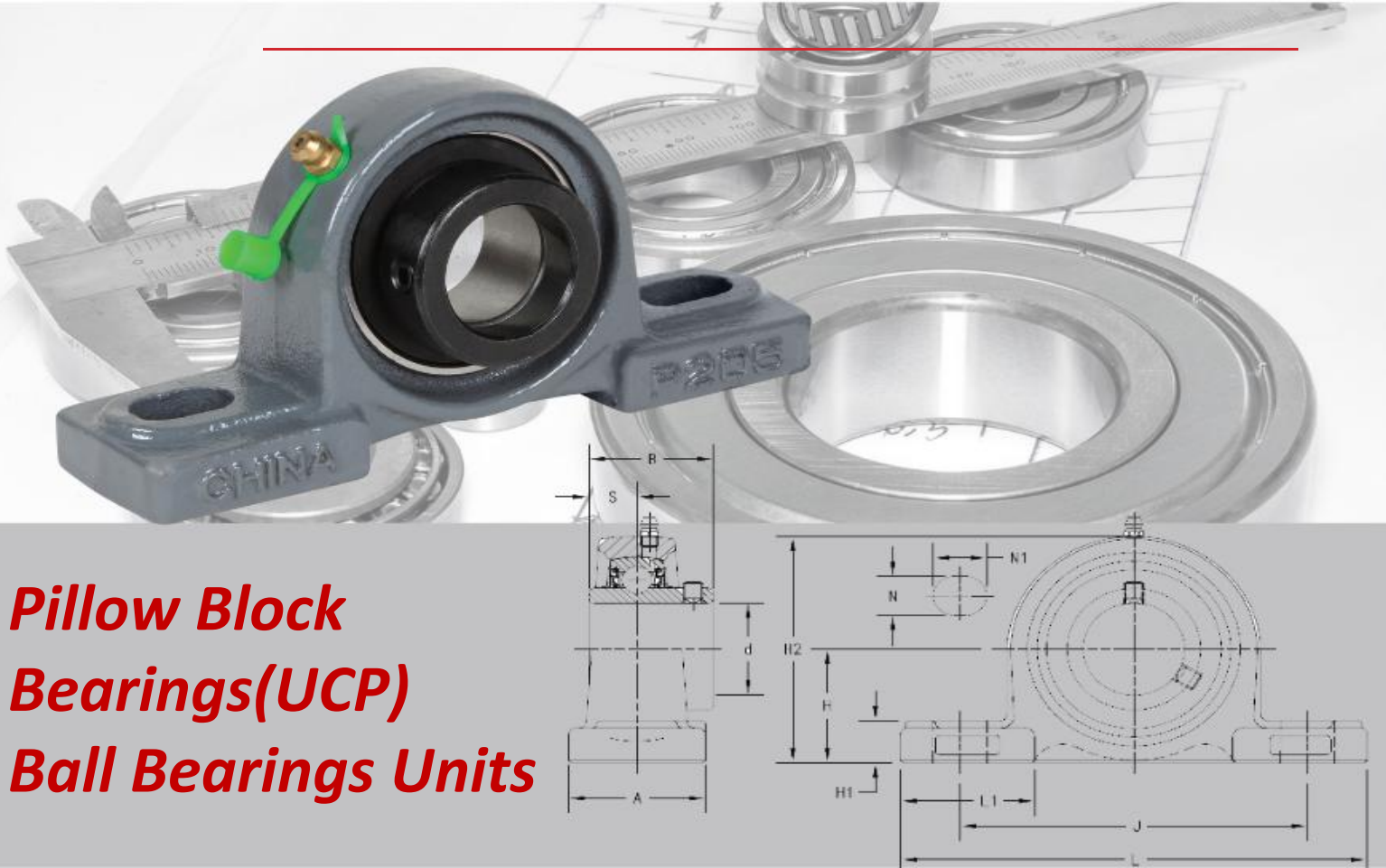
Bearing No.	Dimensions (mm)					Weight (Kg.)
	d	D	B	C	H	
UK205	25	52	21	17	4.3	0.15
UK206	30	62	25	19	5	0.25
UK207	35	72	27	20	5.8	0.37
UK208	40	80	29	21	6.3	0.48
UK209	45	85	30	22	6.8	0.53
UK210	50	90	31	23	6.5	0.59
UK211	55	100	33	25	7.2	0.77
UK212	60	110	36	27	8.2	1.03
UK310	50	110	40	32	9.9	1.19
UK311	55	120	43	34	10.6	1.78

Bearing No.	Bearing Type	Housing No.	d	Dimensions (mm)		Bolt Size	Adapter No.	Weight (Kg.)
				H				
UKP205	UK205	P205	20	36.5		M10	H2305	0.83
UKP207	UK207	P207	30	47.6		M12	H2307	1.5
UKP208	UK208	P208	35	49.2		M12	H2308	2.0
UKP209	UK209	P209	40	54		M12	H2309	2.3
UKP210	UK210	P210	45	57.2		M16	H2310	3.0
UKP211	UK211	P211	50.8	63.5		M16	H2311	3.5



Bearing No.	Dimensions (mm)						Weight (Kg.)
	d	D	B	C	S	S1	
UC306	30	72	43	23	17	26	0.56
UC307	35	80	48	25	19	29	0.71
UC308	40	90	52	27	19	33	1.00
UC309	45	100	57	30	22	35	1.33
UC310	50	110	61	32	22	39	1.69
UC311	55	120	66	34	25	41	1.9
UC312	60	130	71	36	26	45	2.6
UC313	65	140	75	38	30	45	3.16
UC314	70	150	78	40	33	45	3.9
UC315	75	160	82	42	32	50	4.7
UC316	80	170	86	44	34	52	5.6
UC318	90	190	96	48	40	56	7.87
UC320	100	215	108	54	42	66	11.2
UC320-64	101.6	215	108	54	42	66	11
UC322	110	240	117	60	46	71	15.1
UC326	130	280	135	68	54	81	23.6
UC328	140	300	145	73	59	86	29.4

Pillow Block Bearings(UCP) Ball Bearings Units

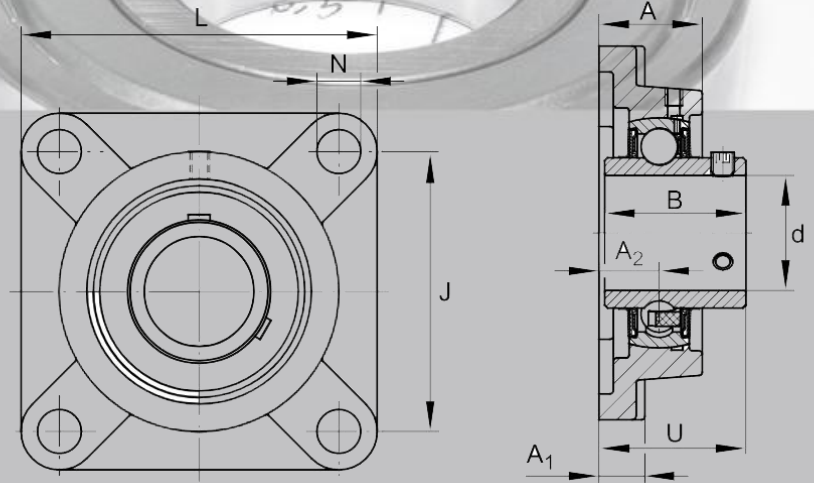


Bearing No.	Bearing Type	Housing No.	Dimensions (mm)											Bolt Size	Weight (Kg.)
			d	H	L	J	A	N	N1	H1	H2	B	S		
UCP201	UC201	P201	12	30.2	127	95	38	13	18	16	60	31	12.7	M10	0.63
UCP202	UC202	P202	15	30.2	127	95	38	13	18	16	60	31	12.7	M10	0.61
UCP203	UC203	P203	17	30.2	127	95	38	13	18	16	60	31	12.7	M10	0.6
UCP204-12	UC204-12	P204	19.1	33.3	127	96	37	13	16	14	63.8	31	12.7	M10	0.65
UCP204	UC204	P204	20	33.3	127	95	38	13	18	16	65	31	14.3	M10	0.66
UCP205	UC205	P205	25	36.5	140	105	38	13	18	13	71	34.1	14.3	M10	0.81
UCP205-16	UC205-16	P205	25.4	36.5	140	105	38	13	19	15	69.5	34	14.3	M10	0.72
UCP206-18	UC206-18	P206	28.6	42.9	160	121	44	14	19	16	82	38.1	15.9	M12	1.15
UCP206	UC206	P206	30	42.9	165	121	48	17	21	17	84	38.1	15.9	M14	1.24
UCP207-20	UC207-20	P207	31.8	47.6	167	126	48	15	19	17	92	42.9	17.5	M12	1.53
UCP207	UC207	P207	35	47.6	167	127	48	17	21	17	93	42.9	17.5	M14	1.58
UCP207-23	UC207-23	P207	36.5	47.6	167	126	48	15	19	17	92	42.9	17.5	M12	1.53
UCP208-24	UC208-24	P208	38.1	49.2	180	136	52	15	21	18	98	49.2	19	M12	1.88
UCP208	UC208	P208	40	49.2	184	137	54	17	21	17	98	49.2	19	M14	1.89
UCP209-28	UC209-28	P209	44.5	54	189	146	54	15	21	20	105.5	49.2	19	M12	2.1
UCP209	UC209	P209	45	54	190	146	54	17	21	17	106	49.2	19	M14	2.14
UCP210	UC210	P210	50	57.2	200	159	60	20	22	19	113	51.6	19	M16	2.66
UCP211-32	UC211-32	P211	50.8	63.5	217	172	60	19	22	22	124.5	55.6	22.2	M16	3.3
UCP211	UC211	P211	55	63.5	219	171	60	20	22	19	125	55.6	22.2	M16	3.31
UCP212-36	UC212-36	P212	57.2	69.9	238	186	66	19	25	24	137	65.1	25.4	M16	5.5
UCP212	UC212	P212	60	69.8	241	184	70	20	25	22	138	65.1	25.4	M16	4.9
UCP213-40	UC213-40	P213	63.5	76.2	262	203	70	23	29	26	179	65.1	25.4	M20	5.6
UCP213	UC213	P213	65	76.2	265	203	70	25	30	25	150	65.1	25.4	M20	5.12

Bearing No.	Bearing Type	Housing No.	d (mm)	Dimensions (mm)										Bolt Size	Weight (Kg.)
				H	L	J	A	N	N1	H1	H2	B	S		
UCP214	UC214	P214	70	79.4	266	210	72	25	30	28	156	74.6	30.2	M20	6.2
UCP215	UC215	P215	75	82.6	275	217	74	25	30	28	162	77.8	33.3	M20	7.16
UCP216	UC216	P216	80	88.9	292	232	78	25	35	32	174	82.6	33.3	M20	8.1
UCP217	UC217	P217	85	95.2	310	247	83	25	40	32	185	85.7	34.1	M20	9.81
UCP218	UC218	P218	90	101.6	327	262	88	27	45	34	198	96	39.7	M22	11.96
UCP220	UC220	P220	100	115	380	305	95	30	36	40	225	108	42	M24	16

Bearing No.	Bearing Type	Housing No.	d (mm)	Dimensions (mm)										Bolt Size	Weight (Kg.)
				H	L	J	A	N	N1	H1	H2	B	S		
UCP306	UC306	P206	30	50	180	140	50	20	17	17	95	43	17	M14	2.20
UCP307	UC307	P307	35	56	210	160	56	25	17	19	106	48	19	M14	3.00
UCP308	UC308	P308	40	60	220	170	60	27	17	19	116	52	19	M14	3.80
UCP309	UC309	P309	45	67	245	190	67	30	20	21	129	57	22	M16	4.90
UCP310	UC310	P310	50	75	275	212	75	35	20	24	143	61	22	M16	6.60
UCP311	UC311	P311	55	80	310	236	80	38	20	27	154	66	25	M16	7.90
UCP312	UC312	P312	60	85	330	250	85	38	25	29	165	71	26	M20	9.50
UCP313	UC313	P313	65	90	340	260	90	38	25	32	176	75	30	M20	10.70
UCP314	UC314	P314	70	95	360	280	90	40	27	35	187	78	33	M22	12.40
UCP315	UC315	P315	75	100	380	290	100	40	27	35	198	82	32	M22	14.80
UCP316	UC316	P316	80	106	400	300	110	40	27	35	210	86	34	M22	18.50
UCP317	UC317	P317	85	112	420	320	110	45	33	40	220	96	40	M27	20.30
UCP318	UC318	P318	90	118	430	330	110	45	33	40	235	96	40	M27	22.80
UCP319	UC319	P319	95	125	470	360	120	50	36	46	250	103	41	M30	29.00
UCP320	UC320	P320	100	140	490	380	120	50	36	46	275	108	42	M30	35.10
UCP322	UC322	P322	110	150	520	400	140	55	40	50	300	117	46	M33	44.00

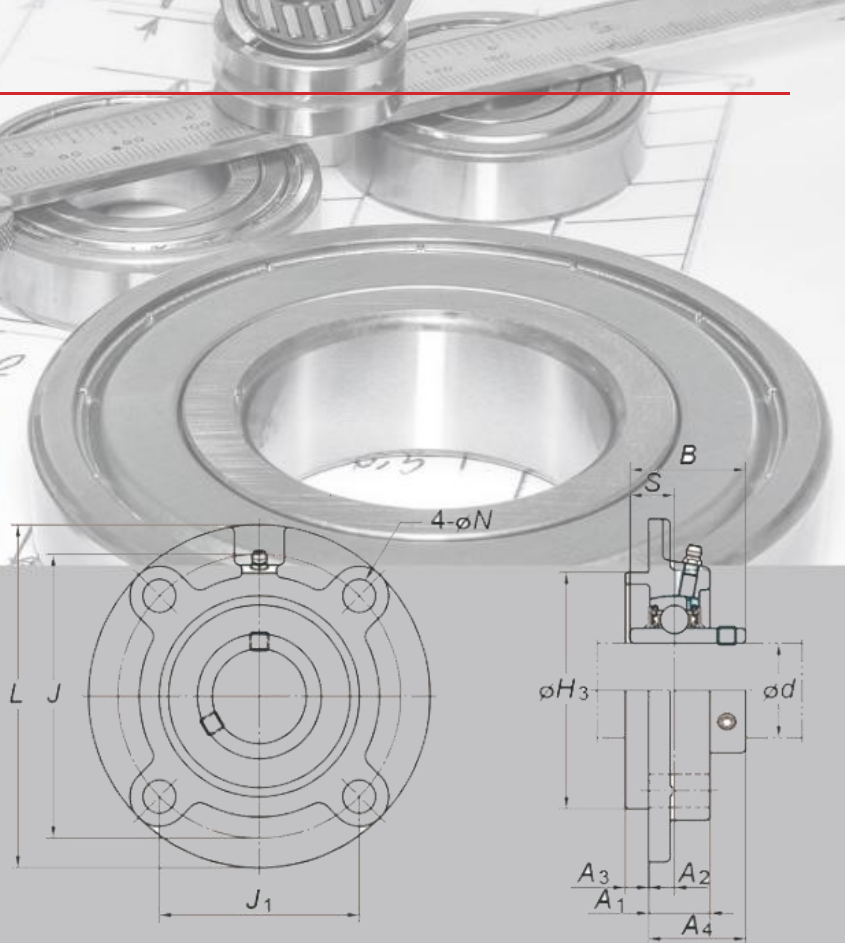
Pillow Block Bearings(UCF)



Bearing No.	Bearing Type	Housing No.	Dimensions (mm)										Weight (Kg.)
			d	L	J	A2	A1	A	N	U	B	Bolt Size	
UCF201	UC201	F201	12	86	64	15	12	25.5	12	33.3	31	M10	0.6
UCF203	UC203	F203	17	86	64	15	12	25.5	12	33.3	31	M10	0.58
UCF205	UC205	F205	25	95	70	16	14	27	12	35.8	34.1	M10	0.8
UCF205-16	UC205-16	F205	25.4	95	70	16	13	27	11.5	35.7	40	M10	0.80
UCF206-18	UC206-18	F206	28.6	108	83	18	13	31	11.5	40.2	44	M10	1.07
UCF206	UC206	F206	30	108	83	18	14	31	12	40.2	38.1	M10	1.12
UCF207-20	UC207-20	F207	31.8	117	92	19	15	34	14	44.4	48.5	M12	1.40
UCF207	UC207	F207	35	117	92	19	16	34	14	44.4	42.9	M12	1.46
UCF208-24	UC208-24	F208	38.1	130	102	21	15	36	14	51.2	55	M12	1.80
UCF208	UC208	F208	40	130	102	21	16	36	16	51.2	49.2	M14	1.84
UCF209-28	UC209-28	F209	44.5	137	105	22	16	38	16	52.2	57	M14	2.20
UCF209	UC209	F209	45	137	105	22	18	38	16	52.2	49.2	M14	2.15
UCF210	UC210	F210	50	143	111	22	18	40	16	54.6	51.6	M16	2.42
UCF211-32	UC211-32	F211	50.8	162	130	28	18	43	18	58.4	64	M16	3.50
UCF211	UC211	F211	55	162	130	25	20	43	19	58.4	55.6	M16	3.31
UCF311	UC311	F311	55	185	140	30	20	52	23	71	66	M20	5.5
UCF212	UC212	F212	60	175	143	29	20	48	19	68.7	65.1	M16	4.28
UCF312	UC312	F312	60	195	150	33	22	56	23	78	71	M20	6.5
UCF213-40	UC213-40	F213	63.5	187	149	30	22	50	18	69.7	79	M16	5.30
UCF213	UC213	F213	65	187	149	30	22	50	19	69.7	65.1	M16	4.99
UCF313	UC313	F313	65	208	166	33	22	58	23	78	75	M20	7.9
UCF214	UC214	F214	70	193	152	31	22	54	19	75.4	74.6	M16	5.85
UCF314	UC314	F314	70	226	178	36	25	61	25	81	78	M22	9.5

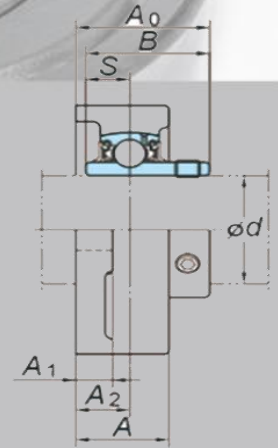
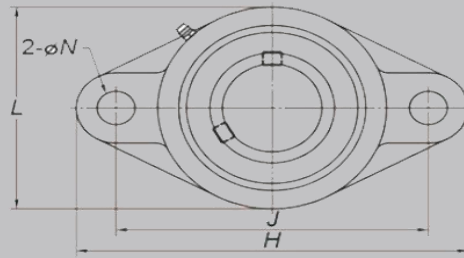
Bearing No.	Bearing Type	Housing No.	Dimensions (mm)										Weight (Kg.)
			d	L	J	A2	A1	A	N	U	B	Bolt Size	
UCF215	UC215	F215	75	200	159	34	22	56	19	78.5	77.8	M16	6.91
UCF315	UC315	F315	75	236	184	39	25	66	25	89	82	M22	12
UCF216	UC216	F216	80	208	165	34	22	58	23	83.3	82.6	M20	7.5
UCF316	UC316	F316	80	250	196	38	27	68	31	90	86	M27	14
UCF217	UC217	F217	85	220	175	36	24	63	23	87.6	85.7	M20	9.66
UCF317	UC317	F317	85	260	204	44	27	74	31	100	96	M27	16
UCF218	UC218	F218	90	235	187	40	24	68	23	96.3	96	M20	12.06
UCF318	UC318	F318	90	280	216	44	30	76	35	100	96	M30	19
UCF320	UC320	F320	100	310	242	59	32	94	38	125	105	M33	25.7

Pillow Block Bearings (UCFC)

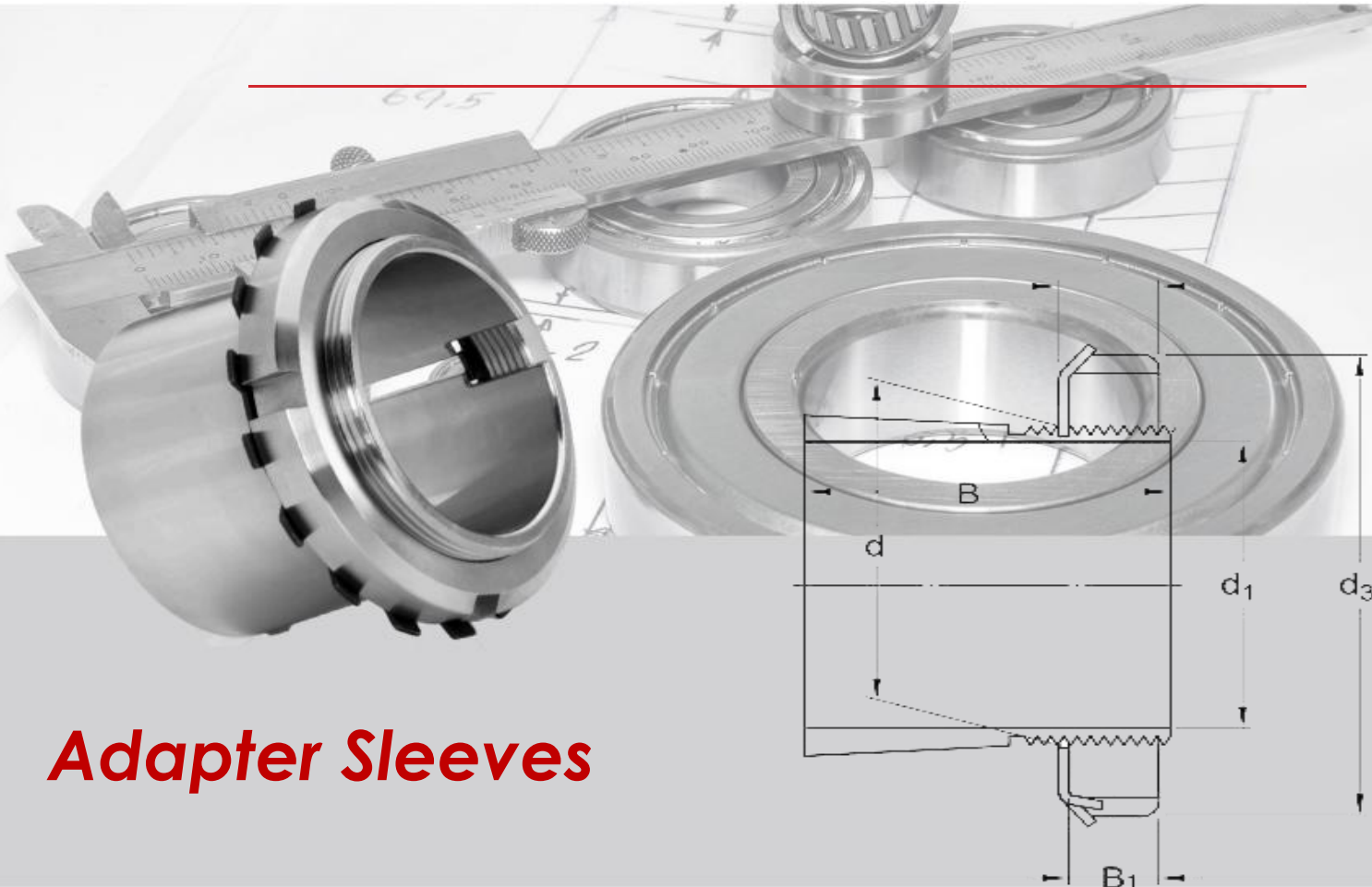


Bearing No.	Bearing Type	Housing No.	Dimensions (mm)											Bolt Size	Weight (Kg.)
			d	L	J	J1	A2	N	A3	A1	H3	B	S		
UCFC202	UC202	FC202	15	100	78	55.1	10	12	5	20.5	62	31	12.7	M10	0.76
UCFC204	UC204	FC204	20	100	78	55.1	10	12	5	20.5	62	31	12.7	M10	0.73
UCFC205	UC205	FC205	25	115	90	63.6	10	12	6	21	70	34.1	14.3	M10	0.95
UCFC206	UC206	FC206	30	125	100	70.7	10	12	8	23	80	38.1	15.9	M10	1.3
UCFC207	UC207	FC207	35	135	110	77.8	11	14	8	26	90	42.9	17.5	M12	1.7
UCFC208	UC208	FC208	40	145	120	84.8	11	14	10	26	100	49.2	19	M12	2
UCFC209	UC209	FC209	45	160	132	93.3	10	16	12	26	105	49.2	19	M14	2.6
UCFC210	UC210	FC210	50	165	138	97.6	10	16	12	28	110	51.6	19	M14	2.9
UCFC211	UC211	FC211	55	185	150	106.1	13	19	12	31	125	55.6	22.2	M16	4.2
UCFC212	UC212	FC212	60	195	160	113.1	17	19	12	36	135	65.1	25.4	M16	5
UCFC213	UC213	FC213	65	205	170	120.2	16	19	14	36	145	65.1	25.4	M16	5.6
UCFC214	UC214	FC214	70	215	177	125.1	17	19	14	40	150	74.6	30.2	M16	6.8
UCFC215	UC215	FC215	75	220	184	130.1	18	19	16	40	160	77.8	33.3	M16	7.2
UCFC216	UC216	FC216	80	240	200	141.4	18	23	16	42	170	82.6	33.3	M20	8.7

Pillow Block Bearings(UCFL)



Bearing No.	Bearing Type	Housing No.	Dimensions (mm)											Weight (Kg.)
			d	H	J	A2	A1	A	N	A0	B	S	L	
UCFL202	UC202	FL202	15	113	90	15	11	25.5	12	33.3	31	12.7	57	0.44
UCFL203	UC203	FL203	17	113	90	15	11	25.5	12	33.3	31	12.7	57	0.43
UCFL204	UC204	FL204	20	113	90	15	11	25.5	12	33.3	31	12.7	60	0.41
UCFL205	UC205-16	FL205	25	130	99	16	13	27	16	35.7	34.1	14.3	68	0.58
UCFL205-16	UC205-16	FL205	25.4	130	99	68	16	13	27	35.7	115	14.3	40	0.60
UCFL206	UC206	FL206	30	148	117	18	13	31	16	40.2	38.1	15.9	80	0.86
UCFL207	UC207	FL207	35	161	130	19	14	34	16	44.4	42.9	17.5	90	1.08
UCFL208	UC208	FL208	40	175	144	21	14	36	16	51.2	49.2	19	100	1.44
UCFL209	UC2059	FL209	45	188	148	22	15	38	19	52.2	49.2	19	108	1.74
UCFL210	UC210	FL210	50	197	157	22	15	40	19	54.6	51.6	19	115	2.1
UCFL211	UC211	FL211	55	224	184	25	18	43	19	58.4	55.6	22.2	130	2.91
UCFL212	UC212	FL212	60	250	202	29	18	48	23	68.7	65.1	25.4	140	3.74
UCFL213	UC213	FL213	65	258	210	30	22	50	23	69.7	65.1	25.4	155	4.57
UCFL214	UC214	FL214	70	265	216	31	22	54	23	75.4	74.6	30.2	160	5.11
UCFL215	UC215	FL215	75	275	225	34	22	56	23	78.5	77.8	33.3	164	5.37
UCFL216	UC216	FL216	80	290	233	34	22	58	25	83.3	82.6	33.3	180	7.2



Adapter Sleeves

Adapter Assembly No.	Dimensions (mm)				Compatible Bearing No.		Weight (Kg.)
	d1	d3	B	B1			
H2302	12	25	25	6	-	-	0.032
H2303	14	28	27	6	-	-	0.042
H204	17	32	24	7	1204K	-	0.041
H304	17	32	28	7	1304K	2204K	0.045
H2304	17	32	31	7	2304K	-	0.050
H205	20	38	26	8	1205K	-	0.070
H305	20	38	29	8	1305K	2205K	0.075
H2305	20	38	35	8	-	2305K	0.087
H206	25	45	27	8	1206K	-	0.099
H306	25	45	31	8	1306K	2206K	0.109
H2306	25	45	38	8	-	2306K	0.110
H207	30	52	29	9	1207K	-	0.125
H307	30	52	35	9	1307K	2207K	0.142
H2307	30	52	43	9	-	2307K	0.160
H208	35	58	31	10	1208K	-	0.174
H308	35	58	36	10	1308K	2208K	0.189
H2308	35	58	46	10	22308CK	2308K	0.220
H209	40	65	33	11	1209K	-	0.226
H309	40	65	39	11	1309K	2209K	0.248
H2309	40	65	50	11	22309CK	2309K	0.270
H210	45	70	35	12	1210K	-	0.274
H310	45	70	42	12	1310K	2210K	0.303
H2310	45	70	55	12	22310CK	2310K	0.340

Adapter Sleeves

Adapter Assembly No.	Dimensions (mm)				Compatible Bearing No.		Weight (Kg.)
	d1	d2	b1	b2			
H211	50	75	37	12	1211K	-	0.308
H311	50	75	45	12	1311K	2211K	0.345
H2311	50	75	59	12	22311CK	2311K	0.390
H212	55	80	38	13	1212K	-	0.346
H312	55	80	47	13	1312K	2212K	0.394
H2312	55	80	62	13	22312CK	2312K	0.45
H213	60	85	40	14	1213K	-	0.401
H313	60	85	50	14	1313K	2213K	0.458
H314	60	92	52	14	1314K	2214K	0.723
H2313	60	85	65	14	22313CK	2313K	0.520
H2314	60	92	68	14	22314CK	2314K	0.880
H215	65	98	43	15	1215K	-	0.708
H315	65	98	55	15	1315K	2215K	0.831
H2315	65	98	73	15	22315CK	2315K	1.100
H216	70	105	46	17	1216K	-	0.881
H316	70	105	59	17	1316K	2216K	1.030
H2316	70	105	78	17	22316CK	2316K	1.200
H217	75	110	50	18	1217K	-	1.020
H317	75	110	63	18	1317K	2217K	1.180
H2317	75	110	82	18	22317CK	2317K	1.350
H218	80	120	52	18	1218K	-	1.180
H318	80	120	65	18	1318K	2218K	1.370
H2318	80	120	86	18	22318CK	2318K	1.600
H219	85	125	55	19	1219K	-	1.370
H319	85	125	68	19	1319K	2219K	1.560
H2319	85	125	90	19	22319CK	2319K	1.800
H220	90	130	58	20	1220K	-	1.490
H320	90	130	71	20	1320K	2220K	1.690
H2320	90	130	97	20	22320CK	2320K	2.000
H221	95	140	60	20	-	-	1.700
H2321	95	140	101	20	22321CK	2321K	2.460
H222	100	145	63	21	1222K	-	1.930
H2322	100	145	105	21	22322CK	2322K	2.750
H2324	110	155	112	22	22324CK	2324K	3.000
H2326	115	165	121	23	22326CK	2326K	4.450
H2328	125	180	131	24	22328CK	2328K	5.400
H2330	135	195	139	26	22330CK	2330K	6.400
H2332	140	210	147	28	22332CK	2332K	8.800
H2334	150	220	154	29	22334CK	2334K	9.900
H2336	160	230	161	30	22336CK	2336K	11.000
H2338	170	240	169	31	22338CK	2338K	12.000
H2340	180	250	176	32	-	-	13.900
H2344	200	280	183	32	-	-	16.600
H2348	220	300	196	34	-	-	19.700



Distributed by *Michin.mu*

AUB www.aubearing.com